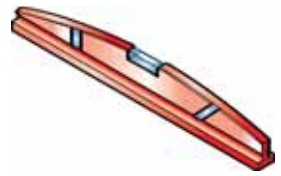


124



---

Copyright by Albini & Fontanot S.p.A., first publication 02 december 2013



13 mm      19 mm  
15 mm

2,5 mm      5 mm  
3 mm        6 mm  
4 mm        8 mm

6 mm    19 mm  
8 mm    13 mm



PH 2

Ø 3 mm  
Ø 5 mm

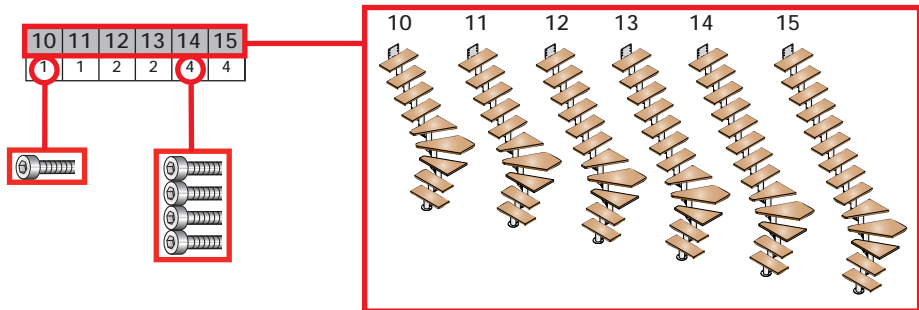
Ø 13 mm



Ø 8 x 150 mm  
Ø 14 x 150 mm







**A09**

	10	11	12	13	14	15
"I"	6	6	6	6	6	6
"L"	6	6	6	6	6	6
"U"	9	6	6	6	6	6

**A11**

	10	11	12	13	14	15
"I"	4	4	4	4	4	4
"L"	3	3	3	3	3	3
"U"	3	3	3	3	3	3

**B02**

	10	11	12	13	14	15
"I"	31	34	37	40	43	46
"L"	25	28	31	34	37	40
"U"	20	23	26	29	32	35

**B12**

	10	11	12	13	14	15
"I"	5	5	5	5	5	5
"L"	5	5	5	5	5	5
"U"	5	5	5	5	5	5

**B13**

	10	11	12	13	14	15
"I"	2	2	2	2	2	2
"L"	2	2	2	2	2	2
"U"	2	2	2	2	2	2

**B30**

	10	11	12	13	14	15
"I"	32	36	40	44	48	52
"L"	32	36	40	44	48	52
"U"	32	36	40	44	48	52

**B35**

	10	11	12	13	14	15
"I"	1	1	1	1	1	1
"L"	1	1	1	1	1	1
"U"	1	1	1	1	1	1

**B49**

	10	11	12	13	14	15
"I"	42	46	50	54	58	62
"L"	30	34	38	42	46	50
"U"	18	22	26	30	34	38

**B51**

	10	11	12	13	14	15
"I"	3	3	3	3	3	3
"L"	2	2	2	2	2	2
"U"	2	2	2	2	2	2

**B65**

	10	11	12	13	14	15
"I"	19	21	23	25	27	29
"L"	13	15	17	19	21	23
"U"	7	9	11	13	15	17

**B71**

	10	11	12	13	14	15
"I"	16	18	20	22	24	26
"L"	16	18	20	22	24	26
"U"	16	18	20	22	24	26

**B75**

	10	11	12	13	14	15
"I"	32	36	40	44	48	52
"L"	32	36	40	44	48	52
"U"	32	36	40	44	48	52

**B82**

	10	11	12	13	14	15
"I"	20	22	24	26	28	30
"L"	16	18	20	22	24	26
"U"	12	14	16	18	20	22

**B89**

	10	11	12	13	14	15
"I"	1	1	1	1	1	1
"L"	1	1	1	1	1	1
"U"	1	1	1	1	1	1

**B95**

	10	11	12	13	14	15
"I"	3	3	3	3	3	3
"L"	3	3	3	3	3	3
"U"	3	3	3	3	3	3

**BL4**

	10	11	12	13	14	15
"I"	1	1	1	1	1	1
"L"	1	1	1	1	1	1
"U"	1	1	1	1	1	1

**BL5**

	10	11	12	13	14	15
"I"	32	36	40	44	48	52
"L"	32	36	40	44	48	52
"U"	32	36	40	44	48	52

**BL6**

	10	11	12	13	14	15
"I"	32	36	40	44	48	52
"L"	32	36	40	44	48	52
"U"	32	36	40	44	48	52

**BL7**

	10	11	12	13	14	15
"I"	16	18	20	22	24	26
"L"	16	18	20	22	24	26
"U"	16	18	20	22	24	26

**C03**

	10	11	12	13	14	15
"I"	18	20	22	24	26	28
"L"	14	16	18	20	22	24
"U"	10	12	14	16	18	20

**C13**

	10	11	12	13	14	15
"I"	27	30	33	36	39	42
"L"	21	24	27	30	33	36
"U"	16	19	22	25	28	31

C43



	10	11	12	13	14	15
"I"	6	6	6	6	6	6
"L"	6	6	6	6	6	6
"U"	6	6	6	6	6	6

C49



	10	11	12	13	14	15
"I"	3	3	3	3	3	3
"L"	3	3	3	3	3	3
"U"	3	3	3	3	3	3

C50



	10	11	12	13	14	15
"I"	3	3	3	3	3	3
"L"	3	3	3	3	3	3
"U"	3	3	3	3	3	3

C54



	10	11	12	13	14	15
"I"	21	23	25	27	29	31
"L"	15	17	19	21	23	25
"U"	9	11	13	15	17	19

C57



	10	11	12	13	14	15
"I"	94	104	114	124	134	144
"L"	82	92	102	112	122	132
"U"	72	82	92	102	112	122

C58



	10	11	12	13	14	15
"I"	5	5	5	5	5	5
"L"	5	5	5	5	5	5
"U"	5	5	5	5	5	5

C59



	10	11	12	13	14	15
"I"	19	21	23	25	27	29
"L"	13	15	17	19	21	23
"U"	7	9	11	13	15	17

C81



	10	11	12	13	14	15
"I"	2	2	2	2	2	2
"L"	2	2	2	2	2	2
"U"	2	2	2	2	2	2

C83



	10	11	12	13	14	15
"I"	2	2	2	2	2	2
"L"	2	2	2	2	2	2
"U"	2	2	2	2	2	2

CF8



	10	11	12	13	14	15
"I"	16	18	20	22	24	26
"L"	16	18	20	22	24	26
"U"	16	18	20	22	24	26

D31



	10	11	12	13	14	15
"I"	1	1	1	1	1	1
"L"	1	1	1	1	1	1
"U"	1	1	1	1	1	1

D49



	10	11	12	13	14	15
"I"	3	3	3	3	3	3
"L"	3	3	3	3	3	3
"U"	3	3	3	3	3	3

F08



	10	11	12	13	14	15
"I"	6	6	6	6	6	6
"L"	6	6	6	6	6	6
"U"	6	6	6	6	6	6

F09



	10	11	12	13	14	15
"I"	1	1	1	1	1	1
"L"	1	1	1	1	1	1
"U"	1	1	1	1	1	1

F12



	10	11	12	13	14	15
"I"	2	2	2	2	2	2
"L"	2	2	2	2	2	2
"U"	2	2	2	2	2	2

F20



	10	11	12	13	14	15
"I"	4	4	4	4	4	4
"L"	4	4	4	4	4	4
"U"	4	4	4	4	4	4

F23



	10	11	12	13	14	15
"I"	25	28	31	34	37	40
"L"	19	22	25	28	31	34
"U"	14	17	20	23	26	29

F27



	10	11	12	13	14	15
"I"	2	2	2	2	2	2
"L"	2	2	2	2	2	2
"U"	2	2	2	2	2	2

F28



	10	11	12	13	14	15
"I"	2	2	2	2	2	2
"L"	2	2	2	2	2	2
"U"	2	2	2	2	2	2

F29



	10	11	12	13	14	15
"I"	2	2	2	2	2	2
"L"	2	2	2	2	2	2
"U"	2	2	2	2	2	2

F34



	10	11	12	13	14	15
"I"	2	2	2	2	2	2
"L"	2	2	2	2	2	2
"U"	2	2	2	2	2	2

G08



	10	11	12	13	14	15
"I"	1	1	1	1	1	1
"L"	1	1	1	1	1	1
"U"	1	1	1	1	1	1

L46



	10	11	12	13	14	15
"I"	9	10	11	12	13	14
"L"	6	7	8	9	10	11
"U"	3	4	5	6	7	8

L47



	10	11	12	13	14	15
"I"	0	0	0	0	0	0
"L"	1	1	1	1	1	1
"U"	2	2	2	2	2	2



L48



	10	11	12	13	14	15
"I"	0	0	0	0	0	0
"L"	1	1	1	1	1	1
"U"	2	2	2	2	2	2

L49



	10	11	12	13	14	15
"I"	0	0	0	0	0	0
"L"	1	1	1	1	1	1
"U"	2	2	2	2	2	2

N31



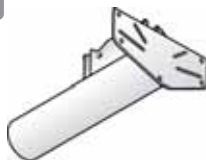
	10	11	12	13	14	15
"I"	8	9	10	11	12	13
"L"	8	9	10	11	12	13
"U"	8	9	10	11	12	13

N32



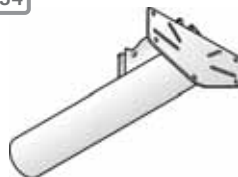
	10	11	12	13	14	15
"I"	1	1	1	1	1	1
"L"	1	1	1	1	1	1
"U"	1	1	1	1	1	1

N33



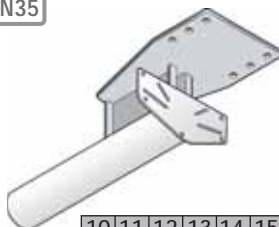
	10	11	12	13	14	15
"I"	1	1	1	1	1	1
"L"	1	1	1	1	1	1
"U"	1	1	1	1	1	1

N34



	10	11	12	13	14	15
"I"	6	7	8	9	10	11
"L"	6	7	8	9	10	11
"U"	6	7	8	9	10	11

N35

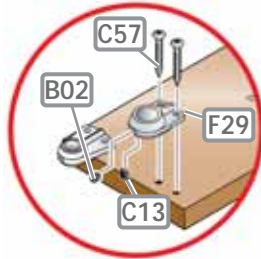
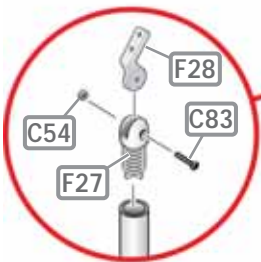
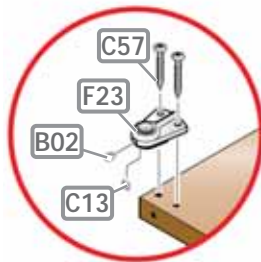
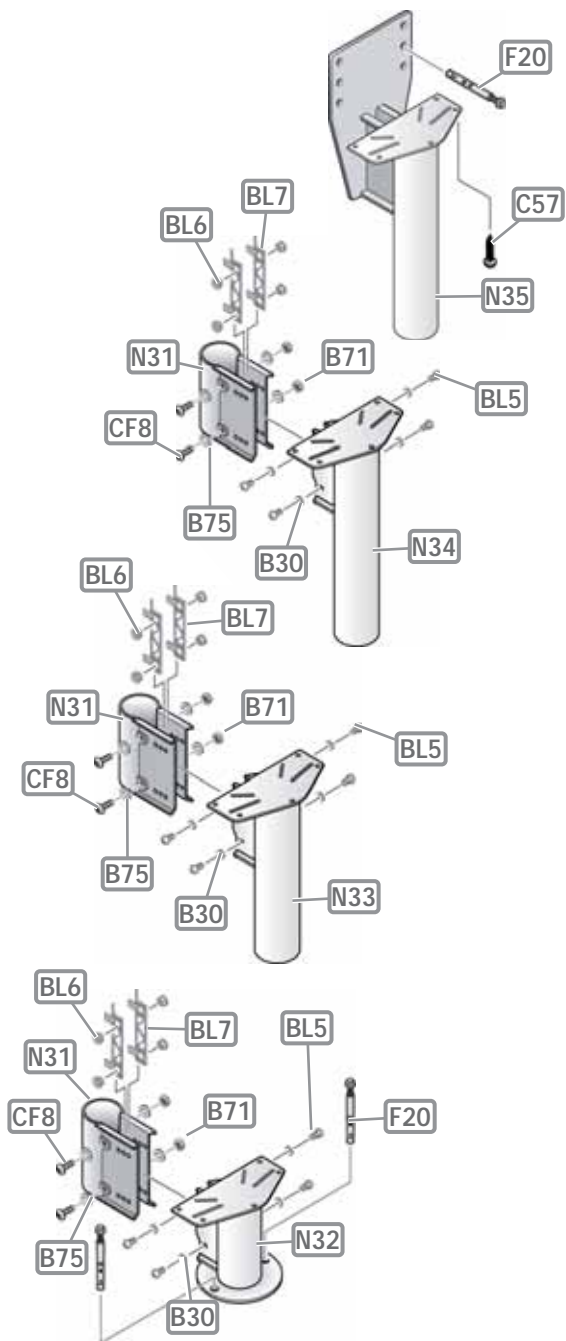


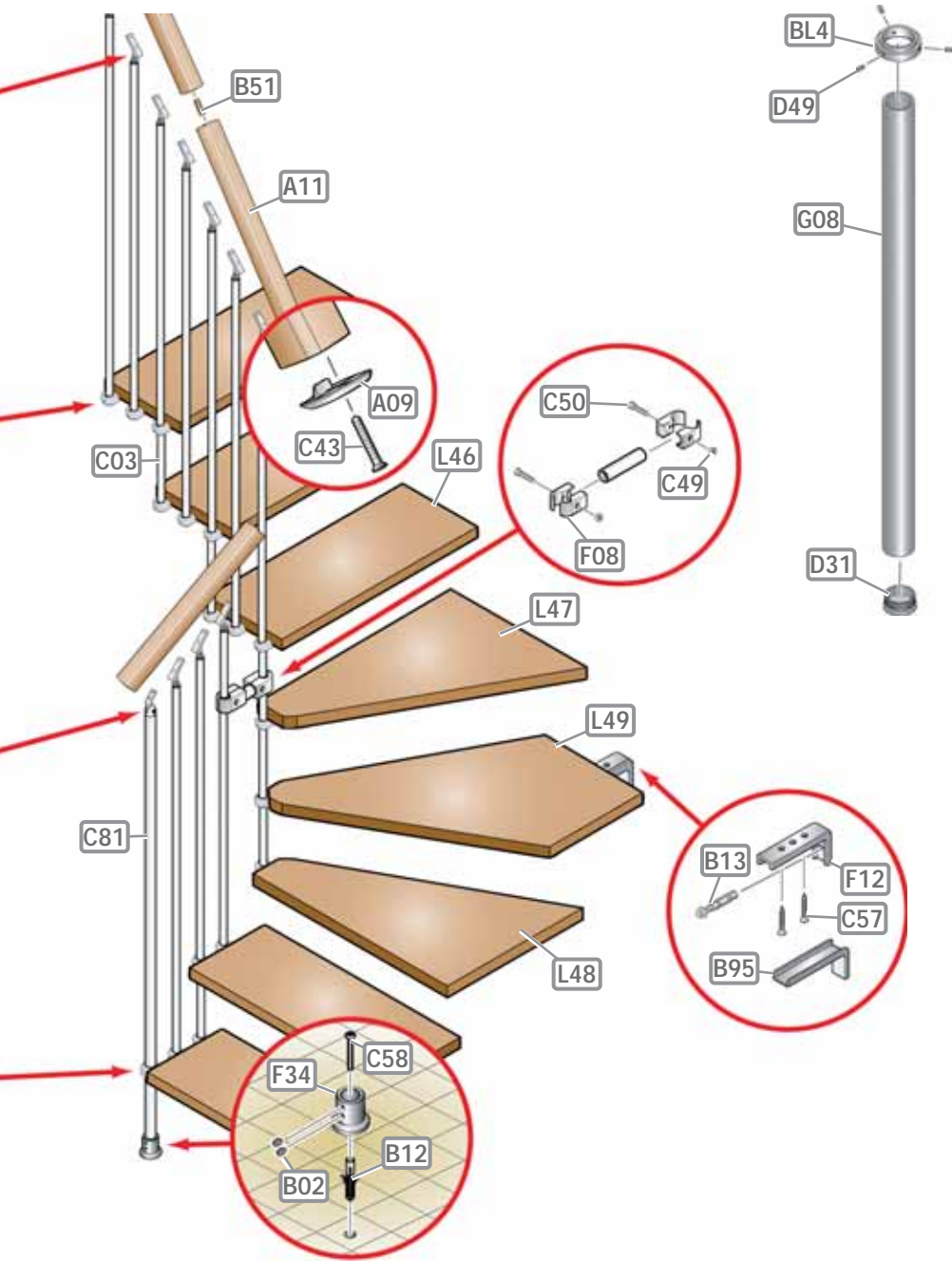
	10	11	12	13	14	15
"I"	1	1	1	1	1	1
"L"	1	1	1	1	1	1
"U"	1	1	1	1	1	1

B68

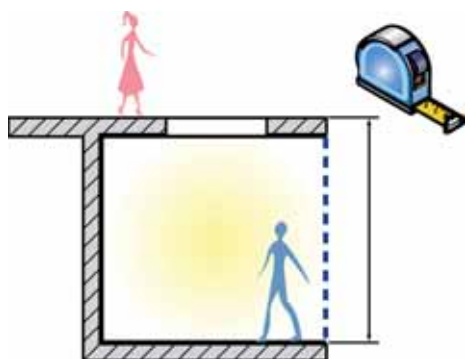
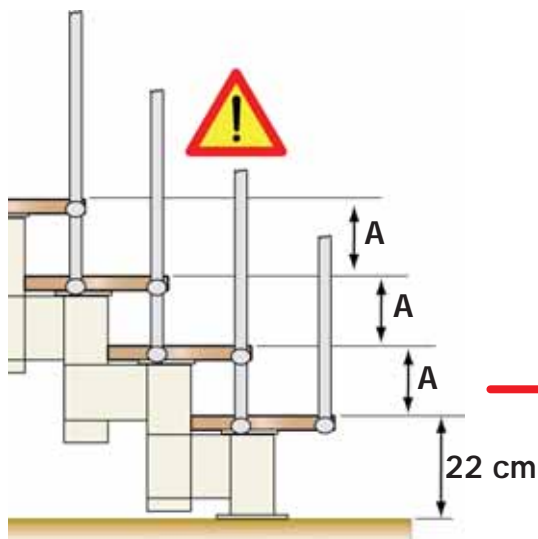


	10	11	12	13	14	15
"I"	1	1	1	1	1	1
"L"	1	1	1	1	1	1
"U"	1	1	1	1	1	1





4



- 10 (N) → H = 193 ÷ 234 cm
- 11 (N) → H = 212 ÷ 257 cm
- 12 (N) → H = 231 ÷ 281 cm
- 13 (N) → H = 250 ÷ 304 cm
- 14 (N) → H = 269 ÷ 328 cm
- 15 (N) → H = 288 ÷ 351 cm

10 (N)



11 (N)



12 (N)



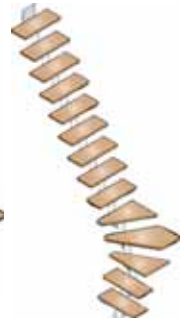
13 (N)



14 (N)

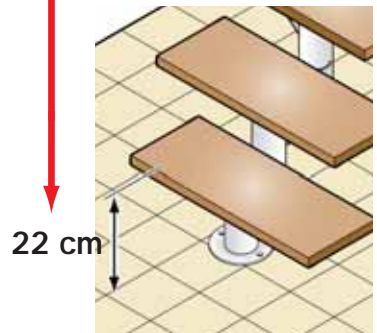
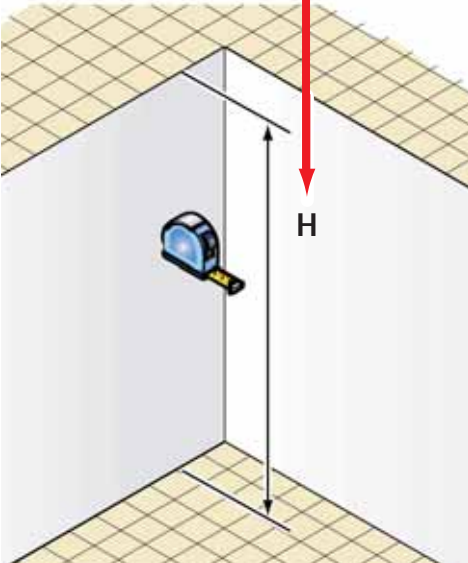


15 (N)

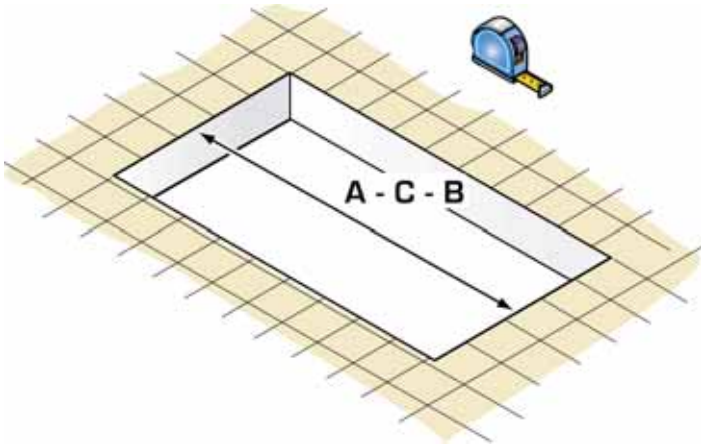


$$A = H \cdot 22 \text{ cm} / N - 1$$

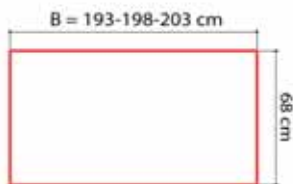
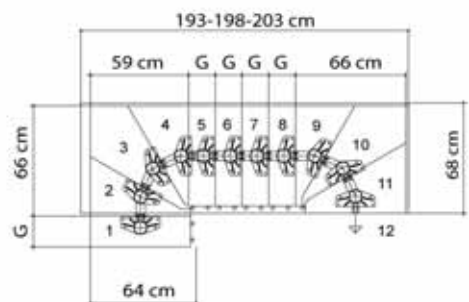
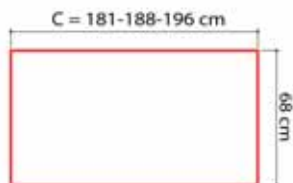
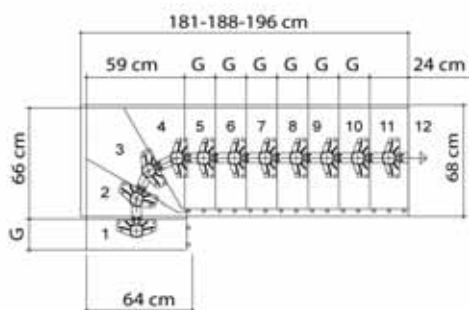
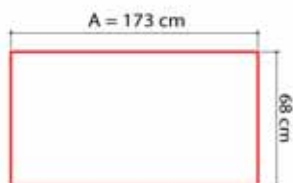
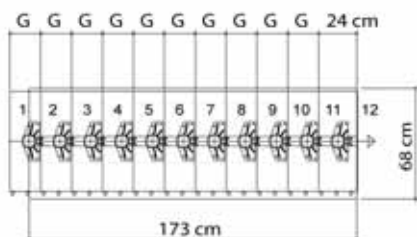
$$(A = 19 \div 23,5 \text{ cm})$$



5



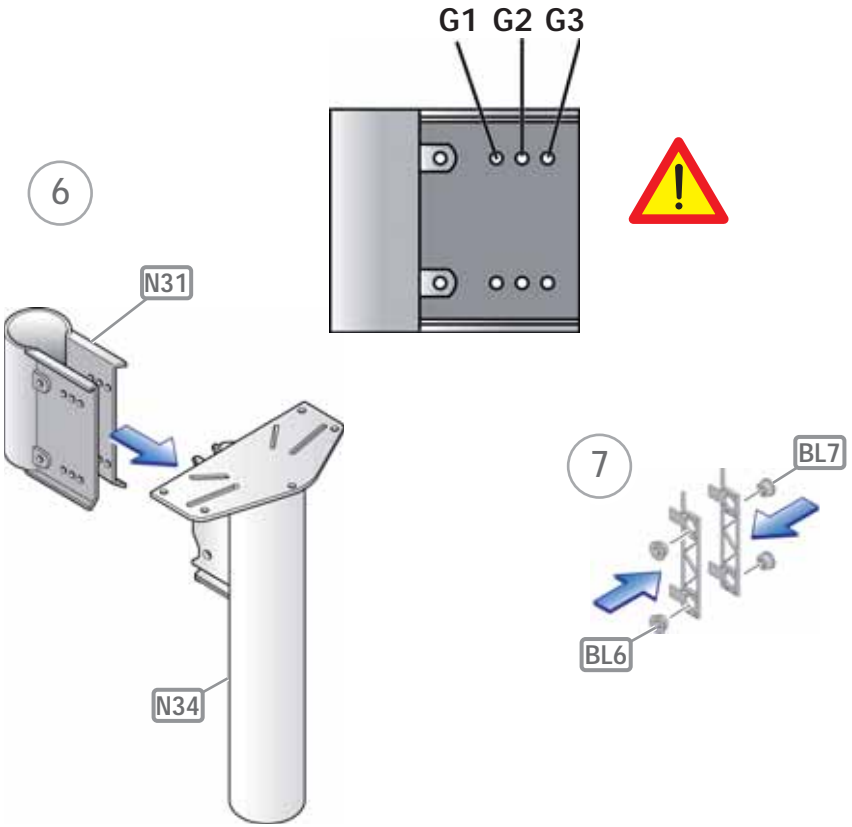
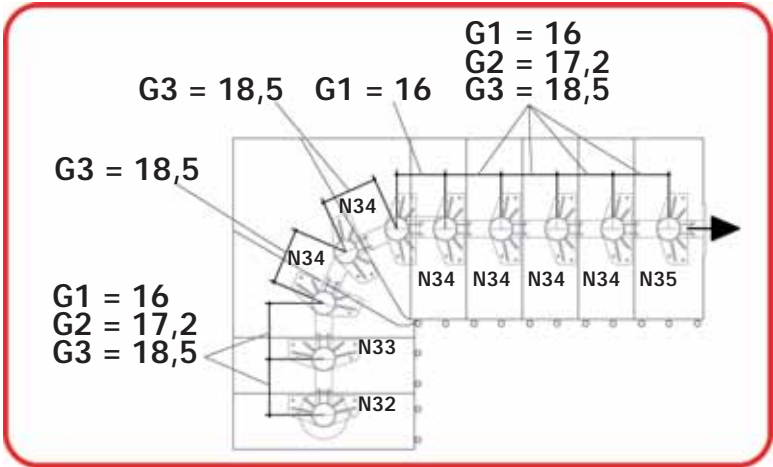
98 - 125



$G = 16 \text{ cm}$   
 $G = 17,2 \text{ cm}$   
 $G = 18,5 \text{ cm}$

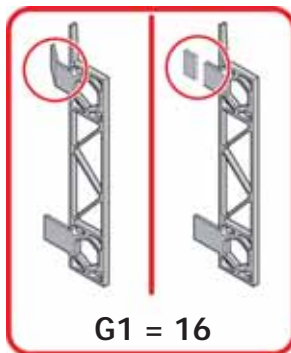


16

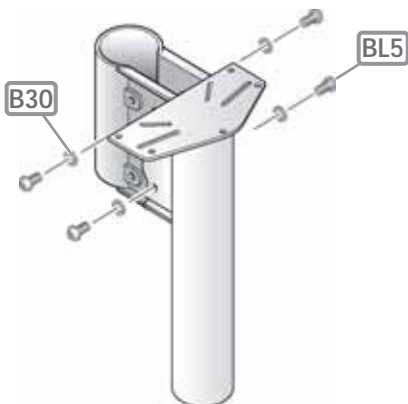




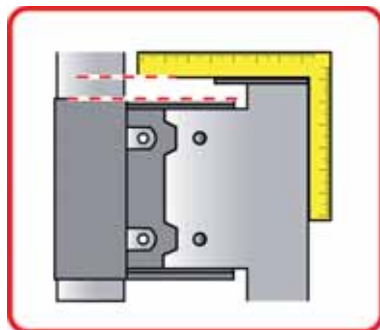
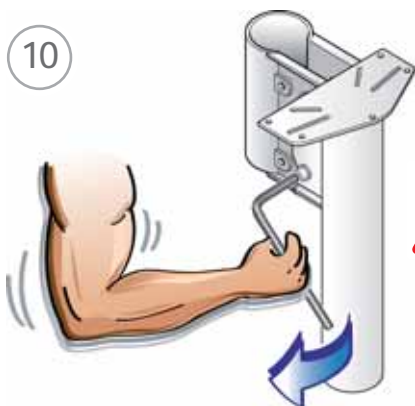
8

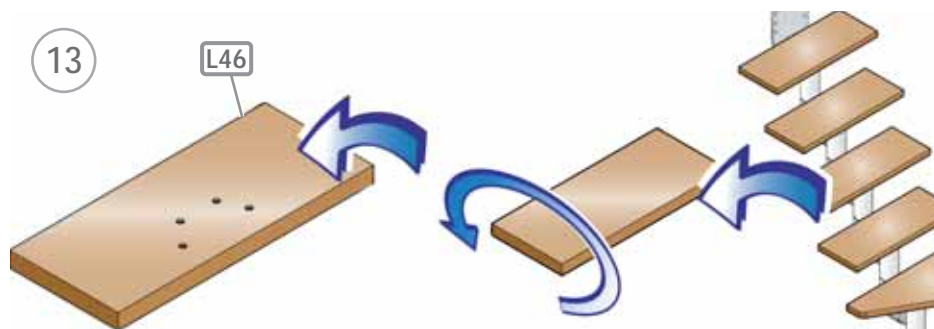
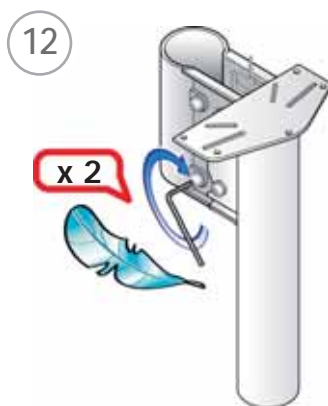
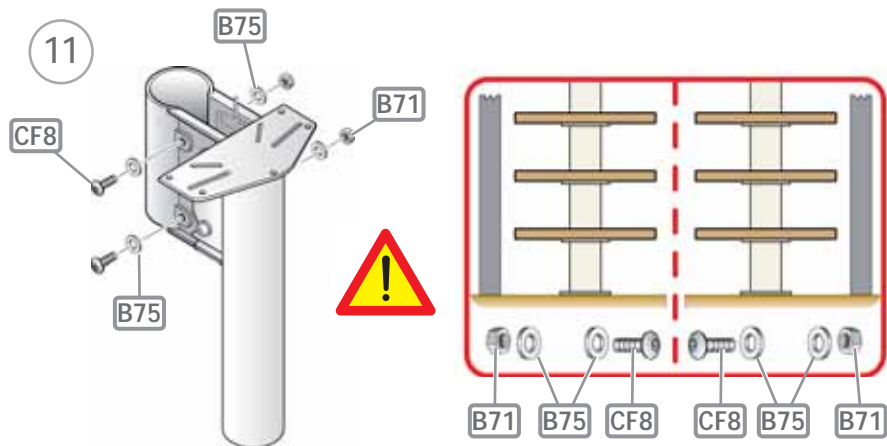


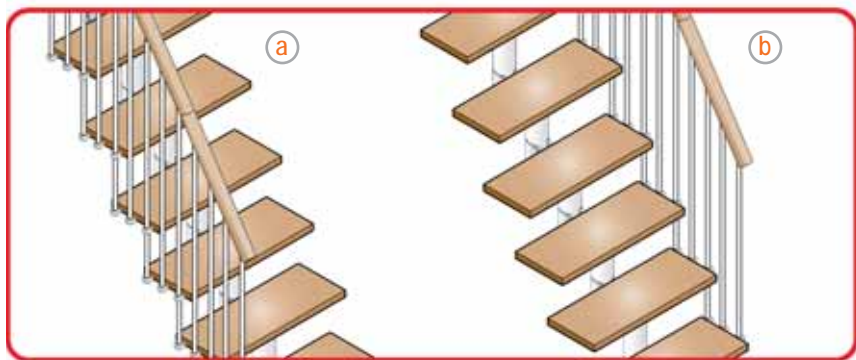
9



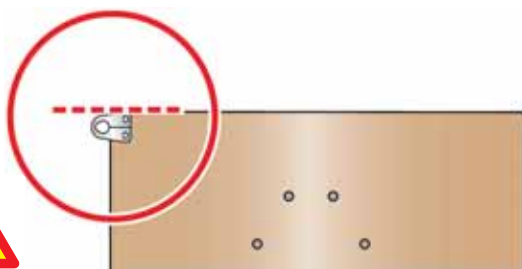
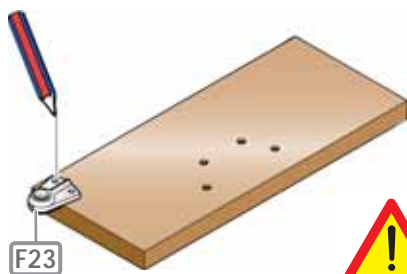
10



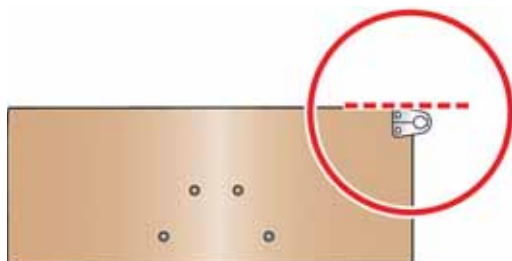
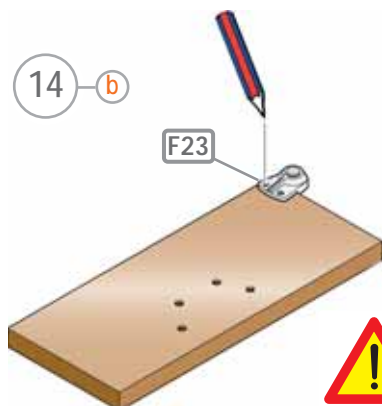




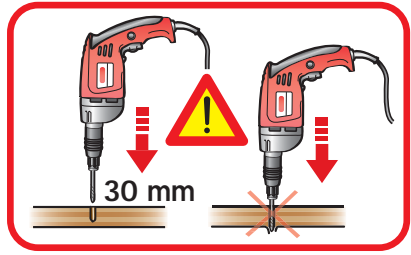
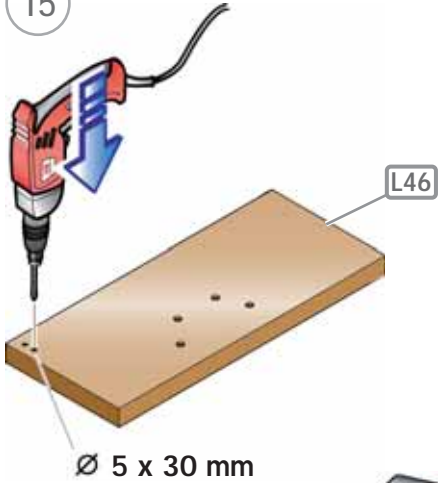
14 a



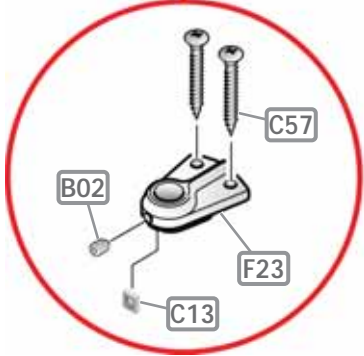
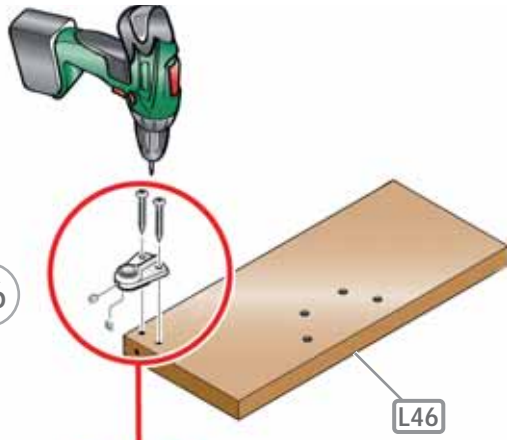
14 b

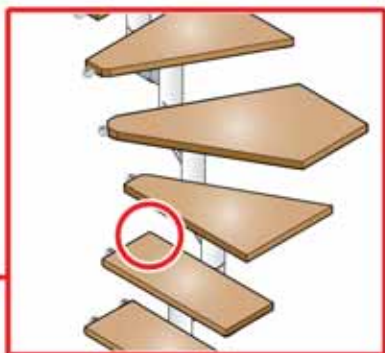
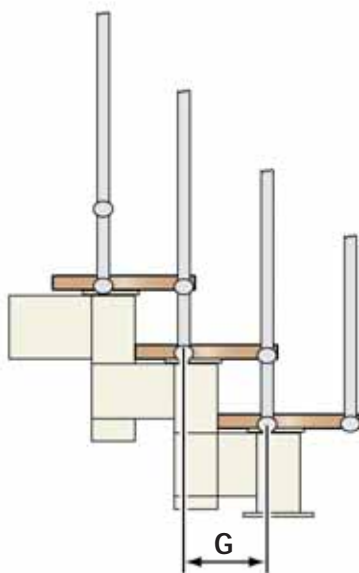
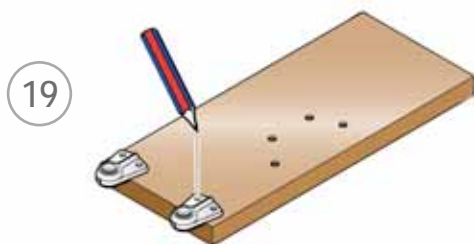
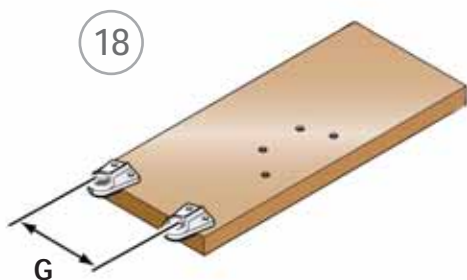
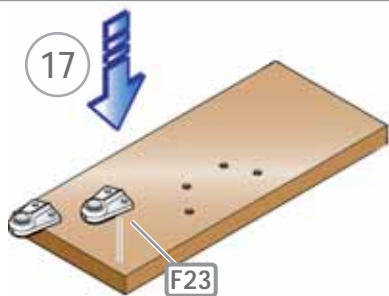


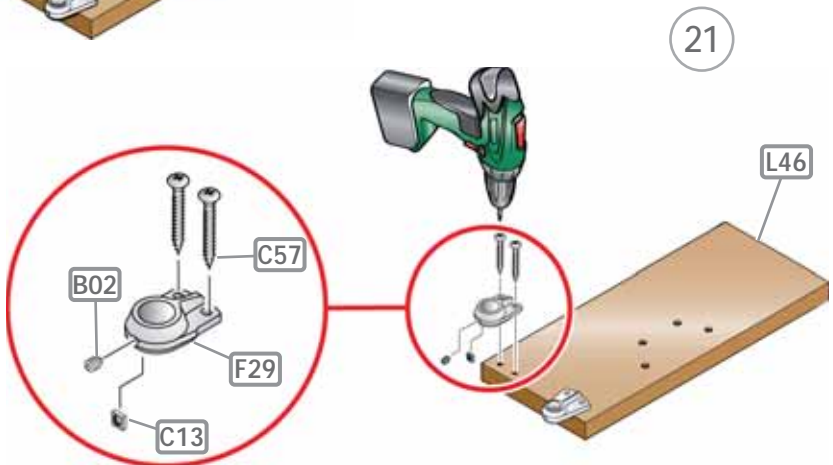
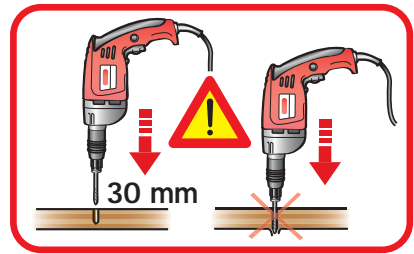
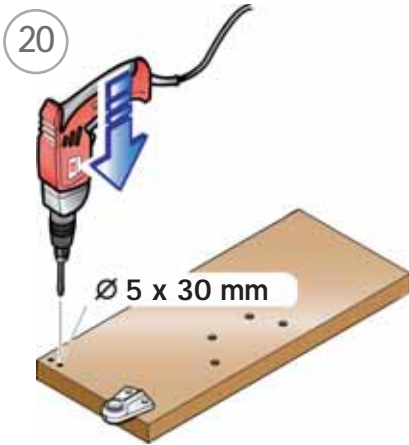
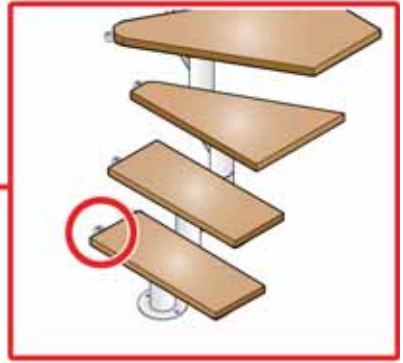
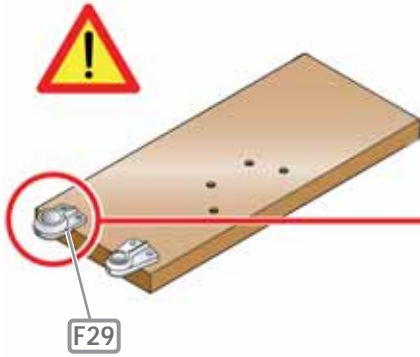
15

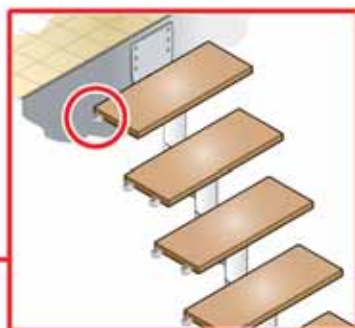


16

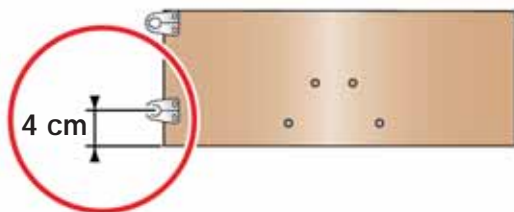
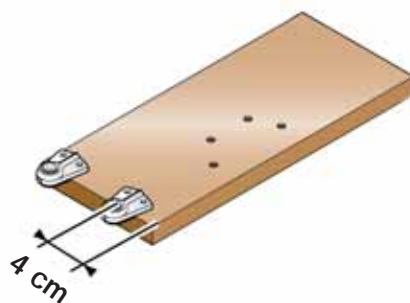
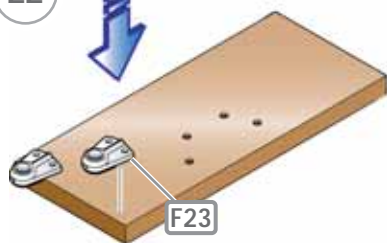






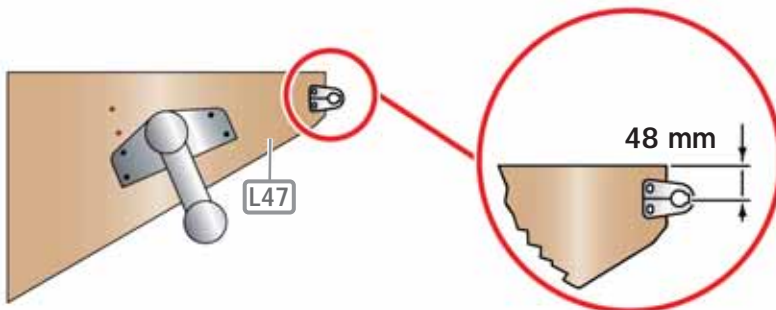
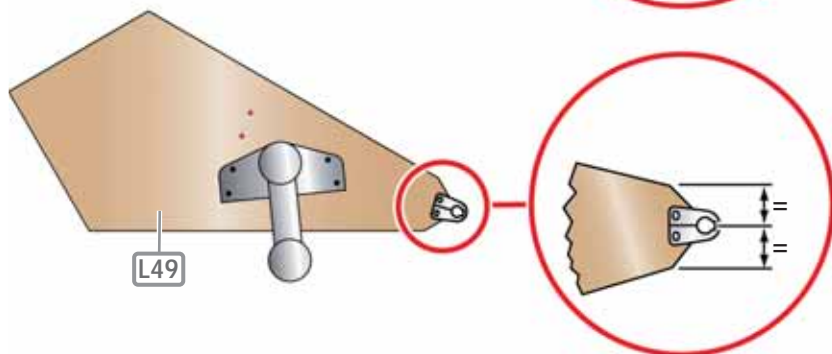
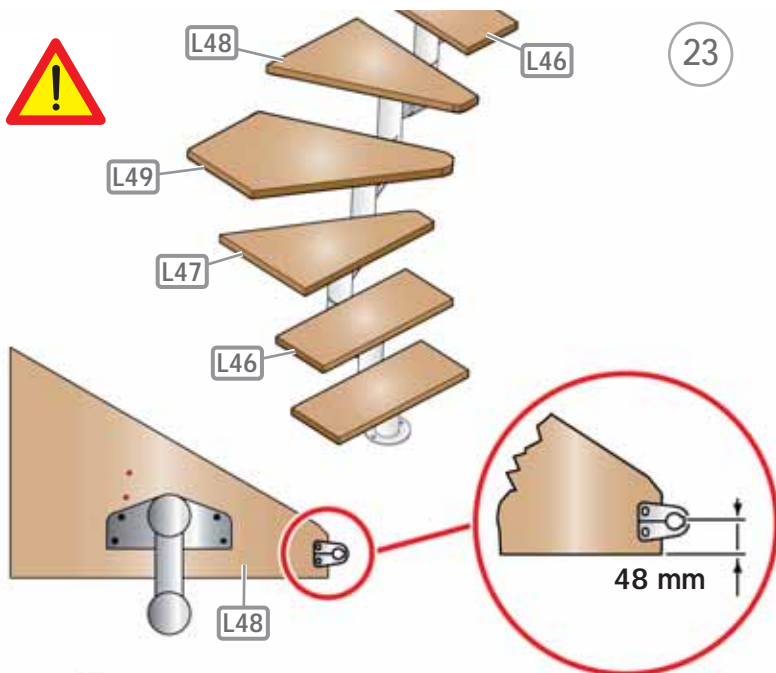


22

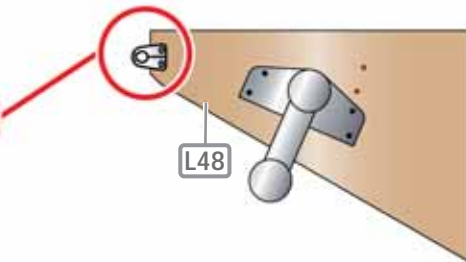
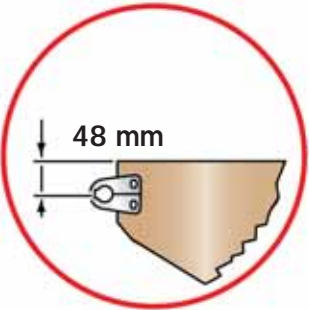
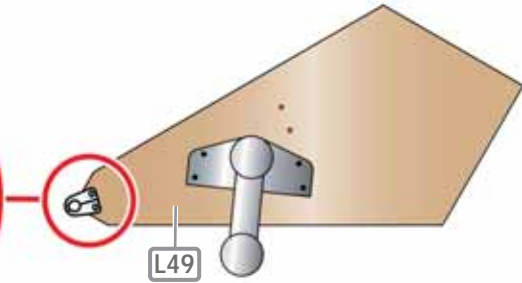
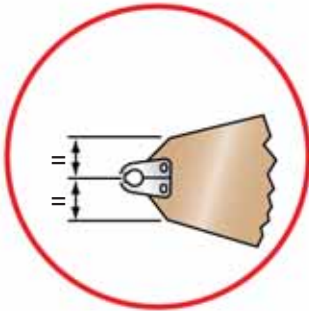
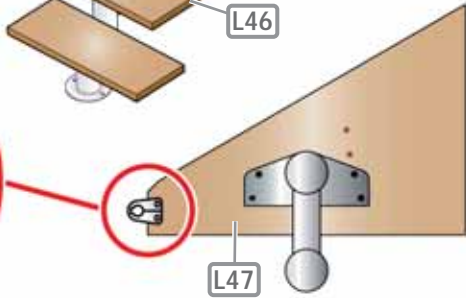
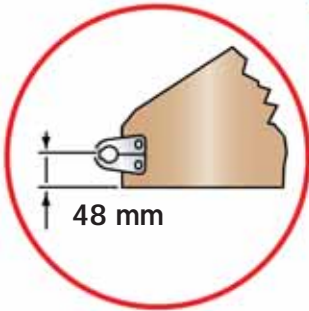
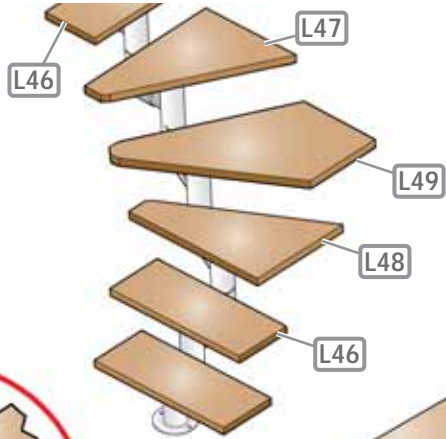




23





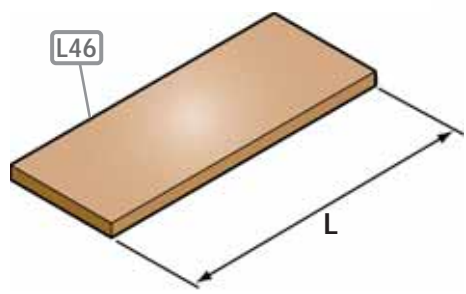
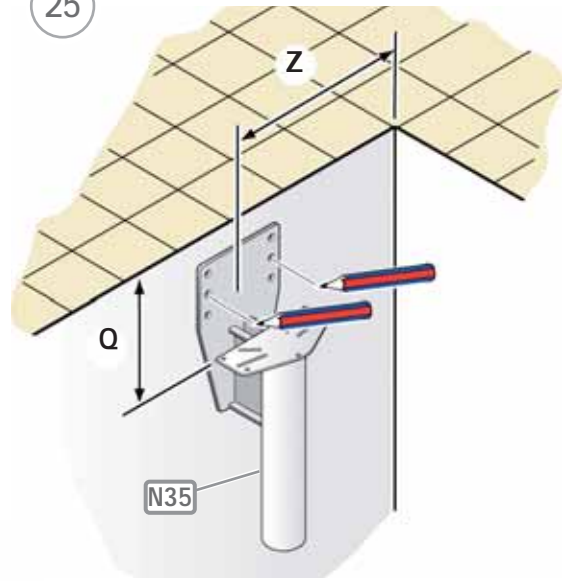




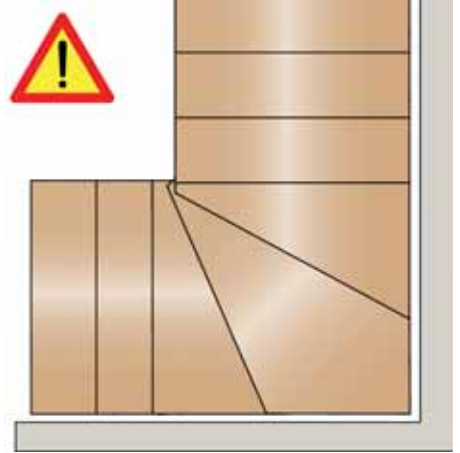
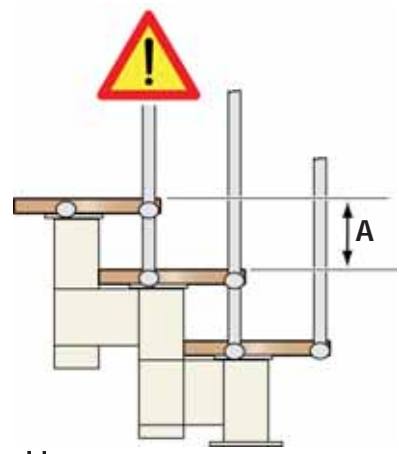
$$Q = A + 3,5 \text{ cm}$$

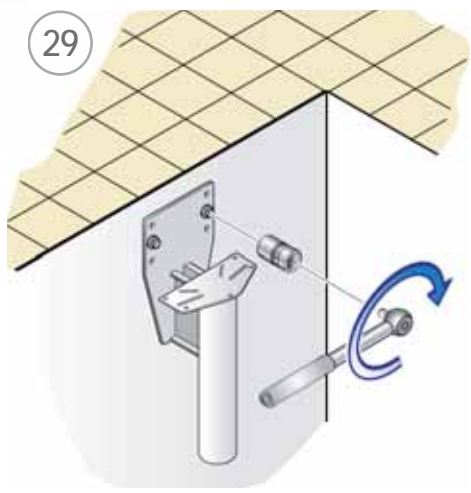
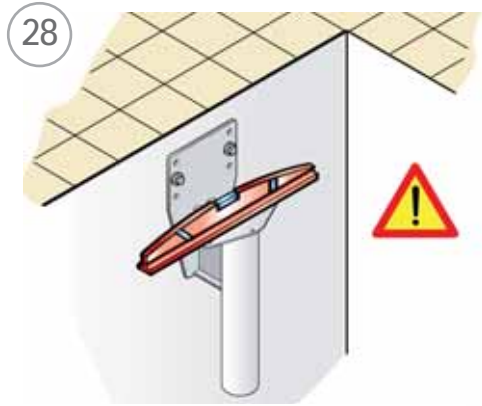
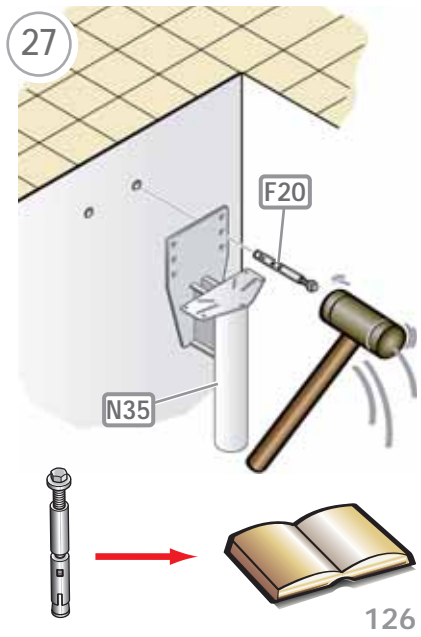
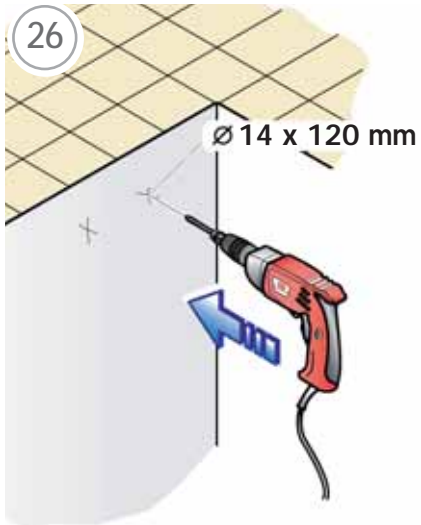
25

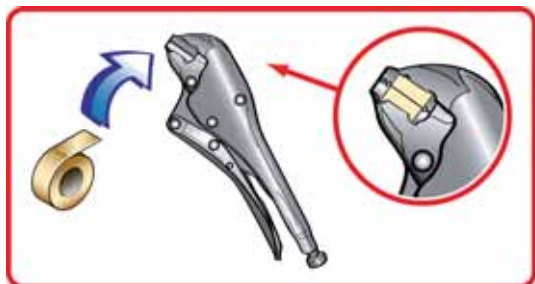
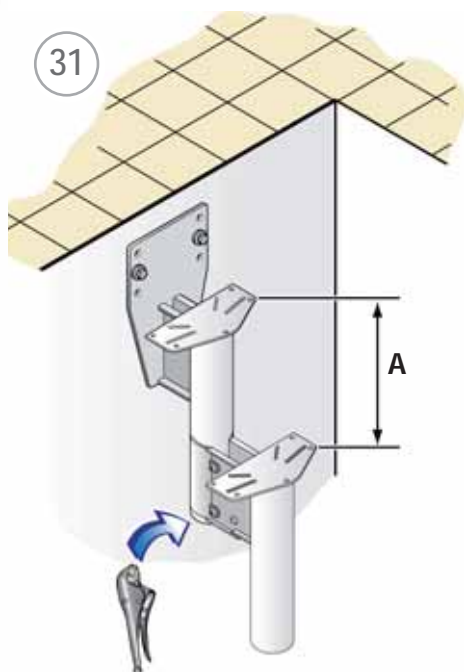
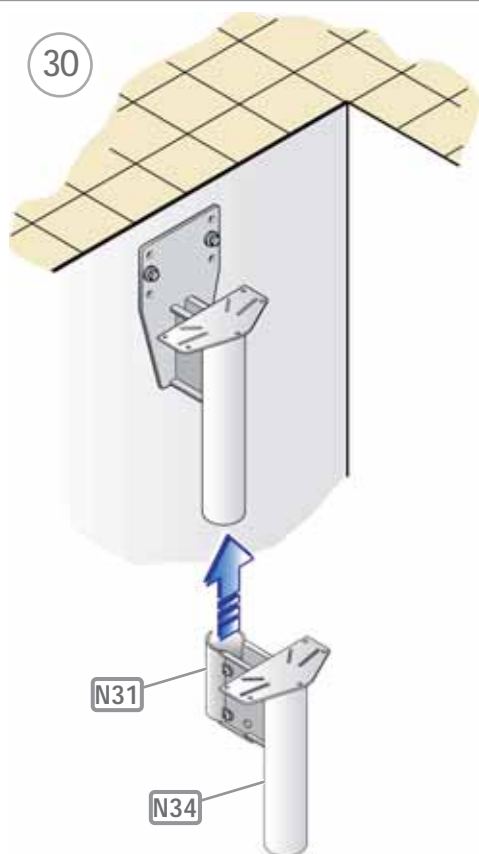
$$Z = L/2 + X$$

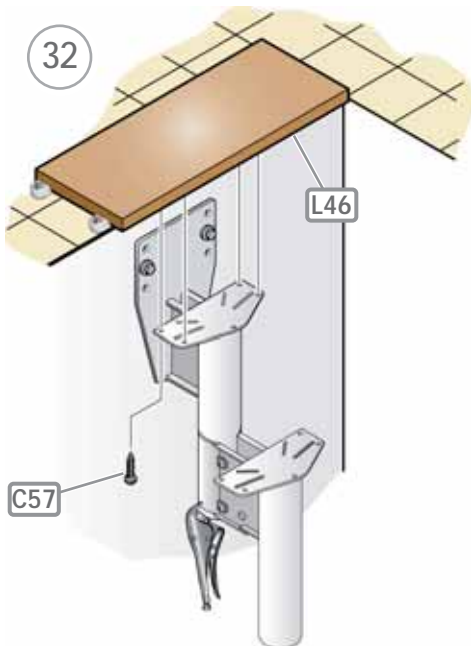


$$X = 2 \div 6 \text{ cm}$$

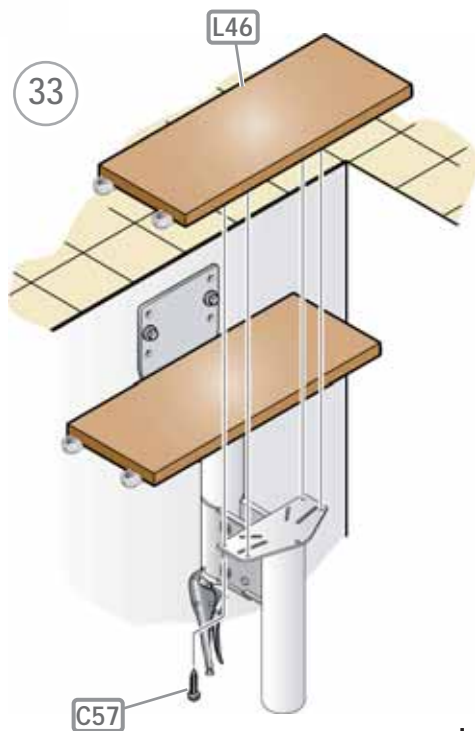




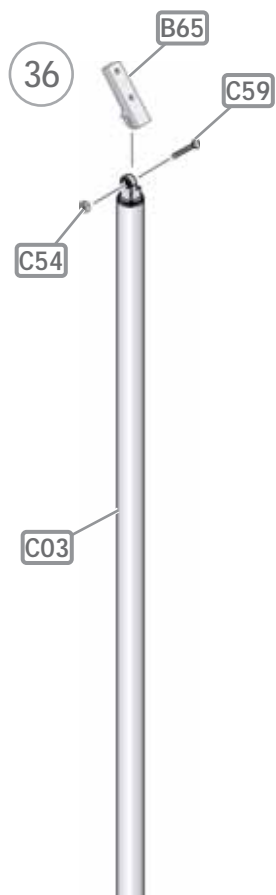
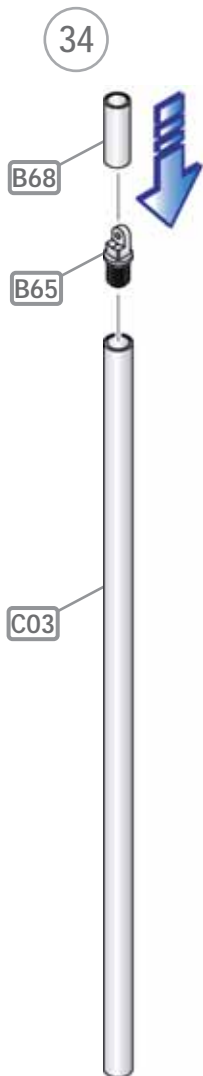




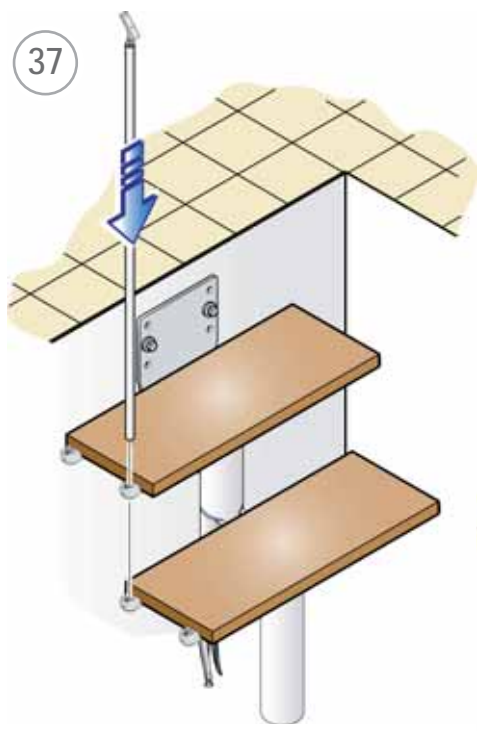
23



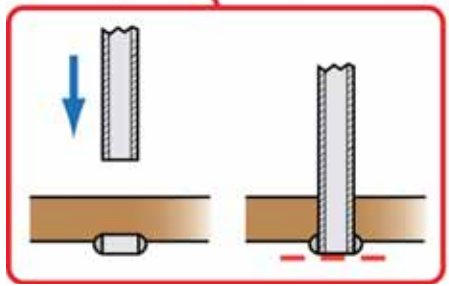
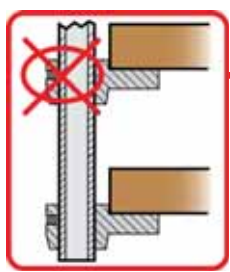
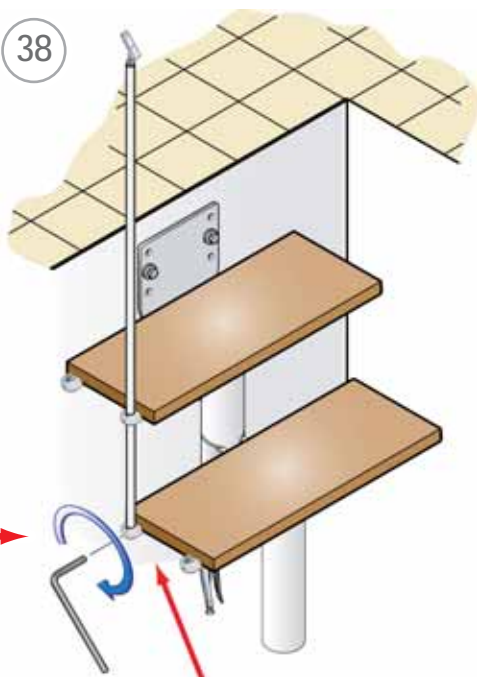
n4



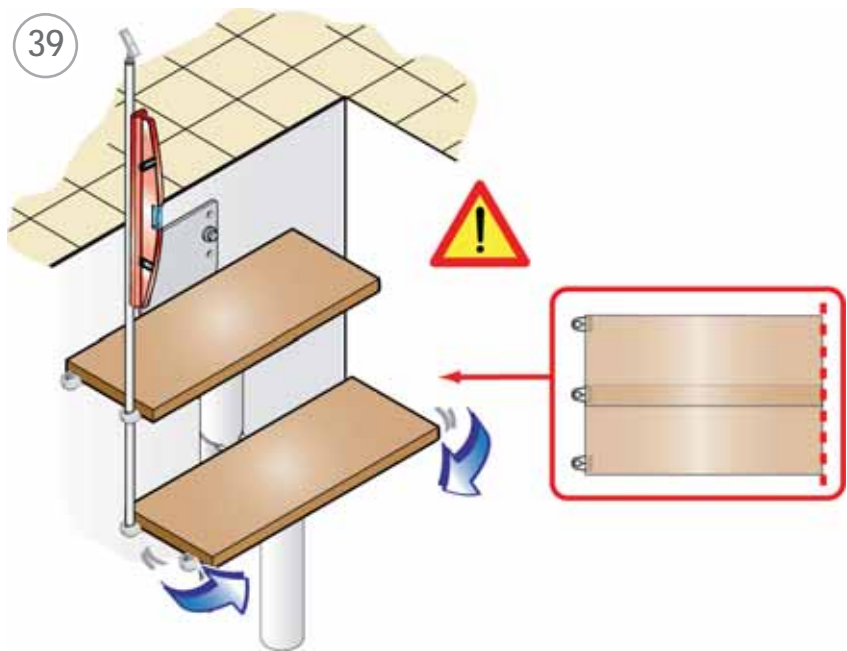
37



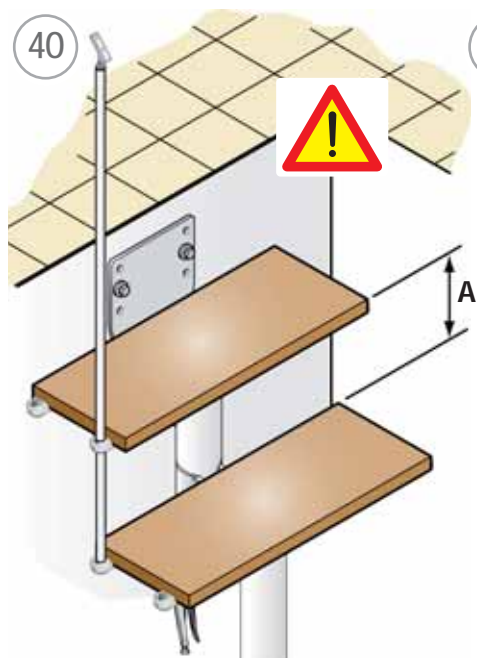
38



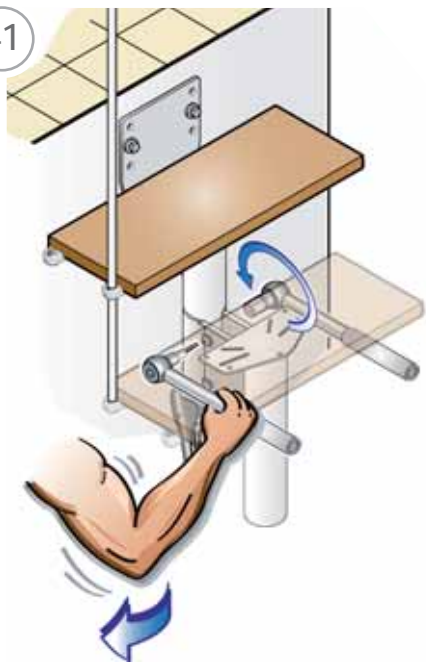
39



40

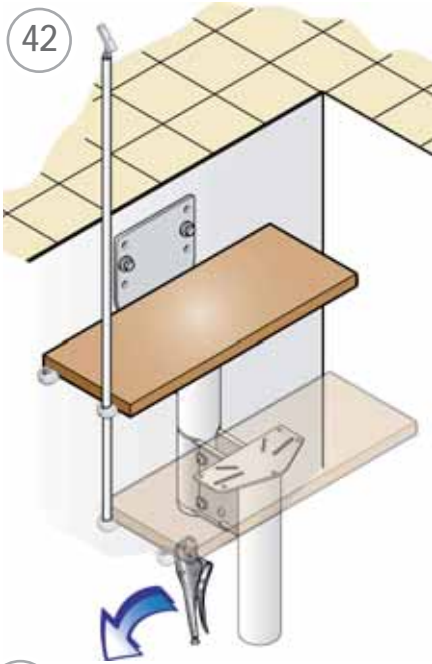


41

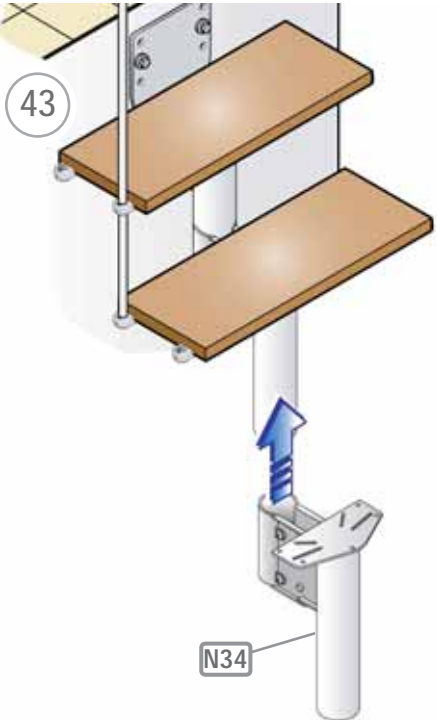




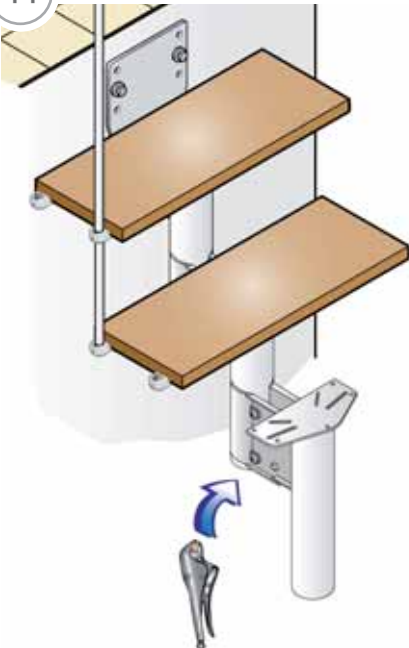
42



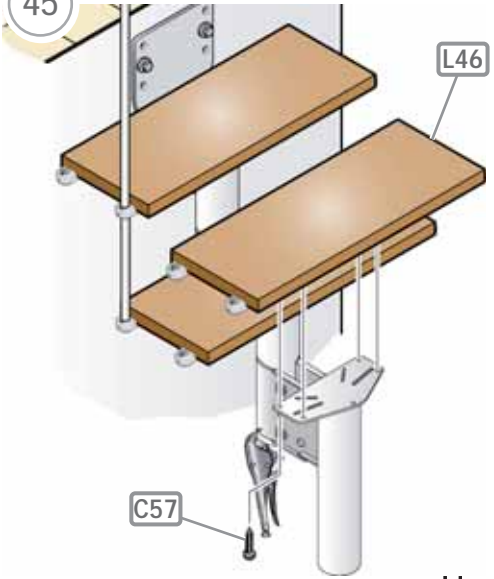
43



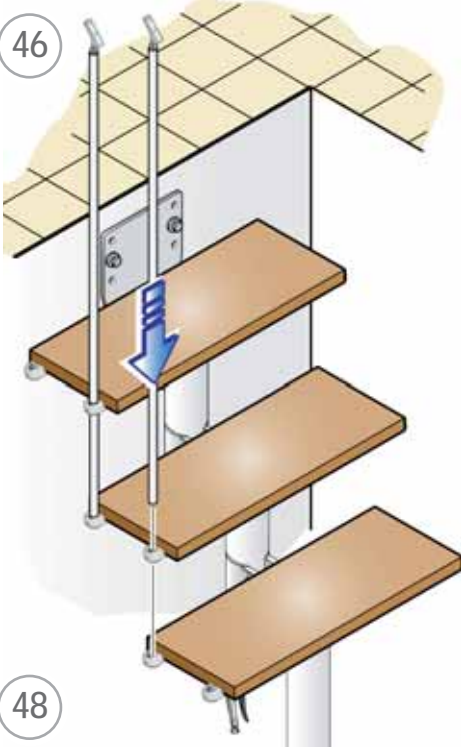
44



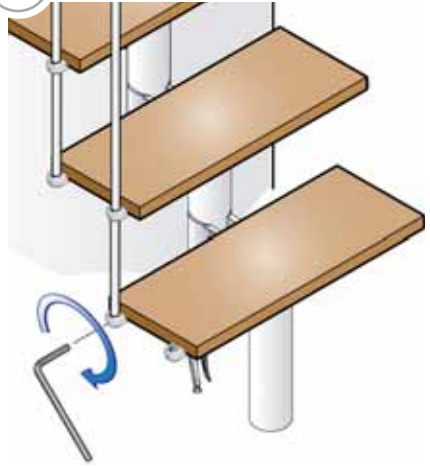
45



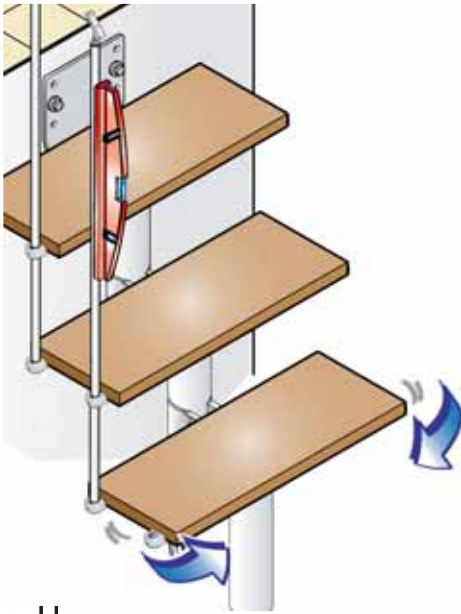
46



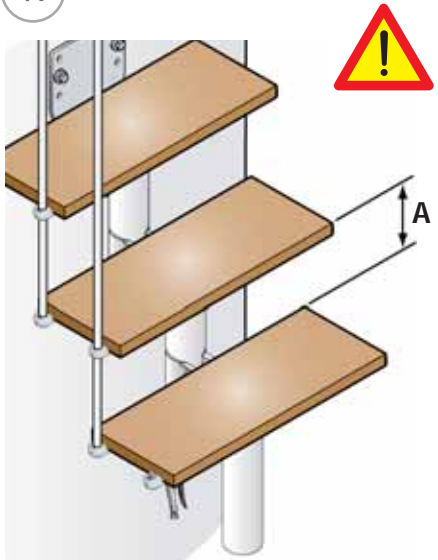
47

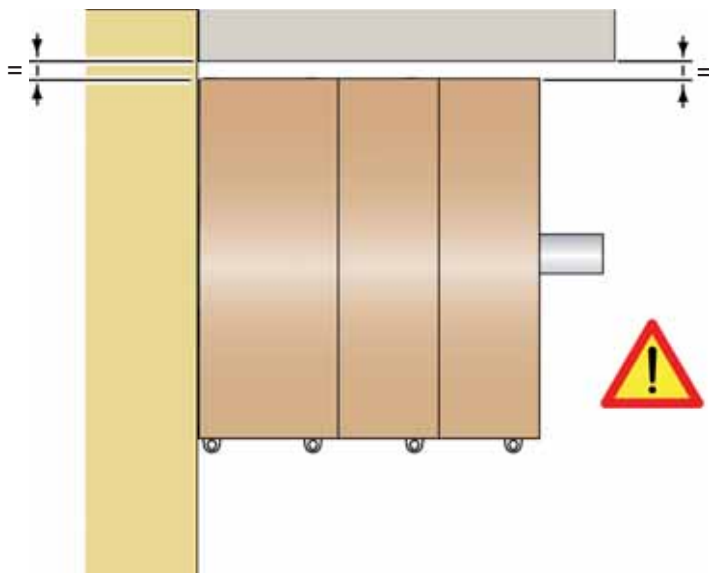


48

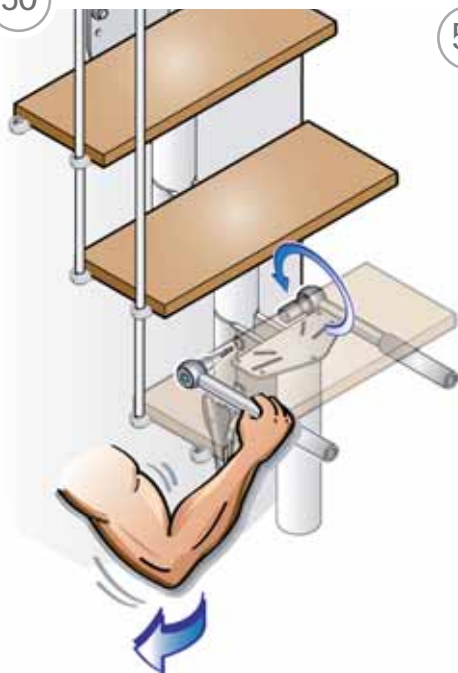


49

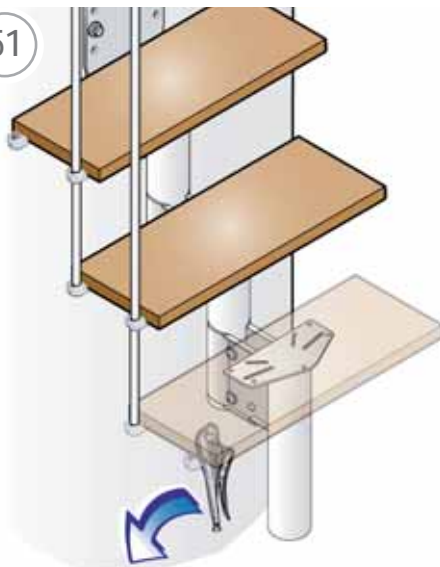




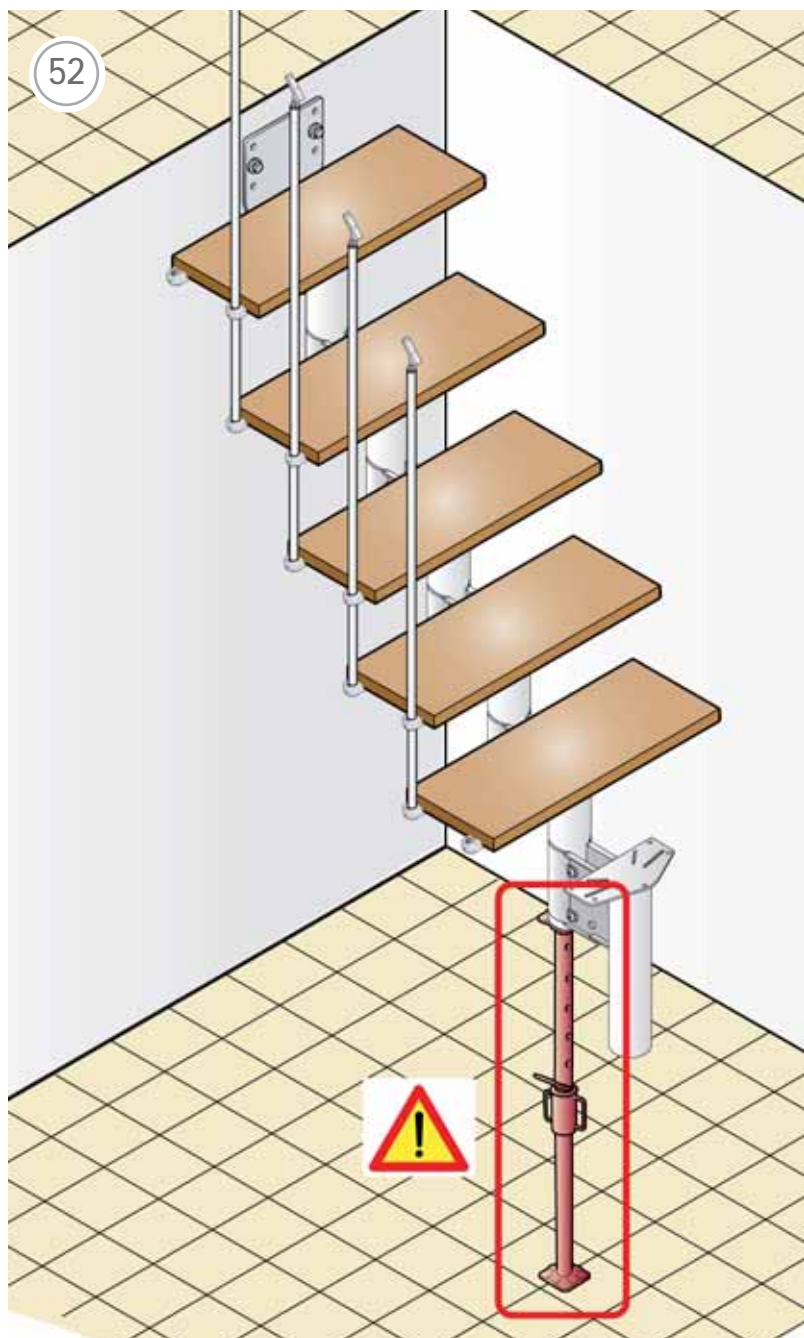
50

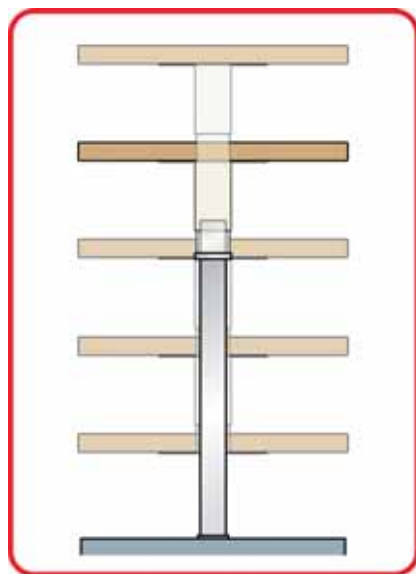


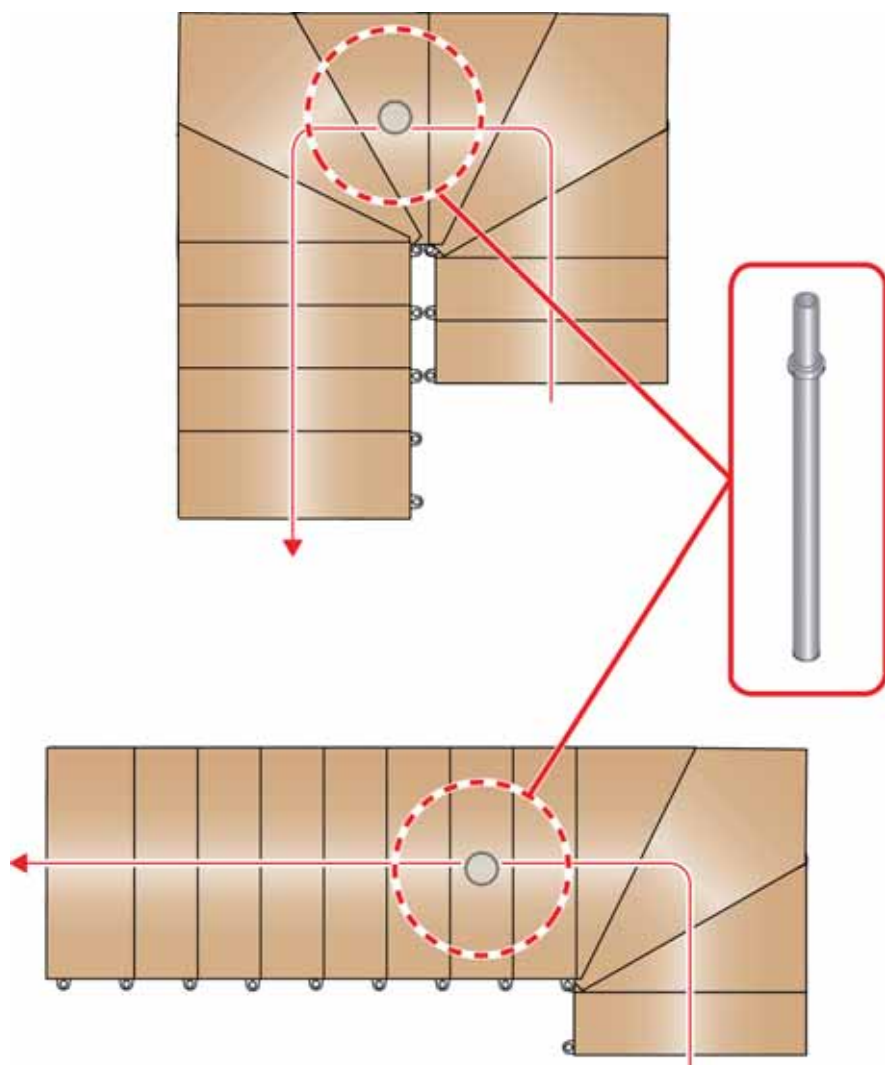
51



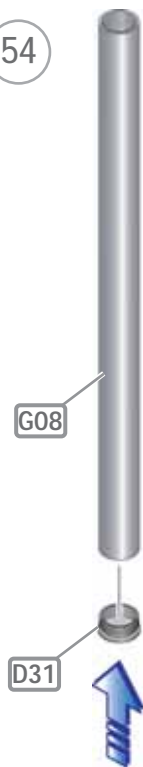
52



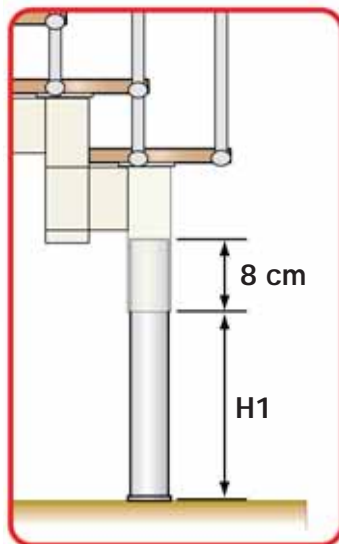
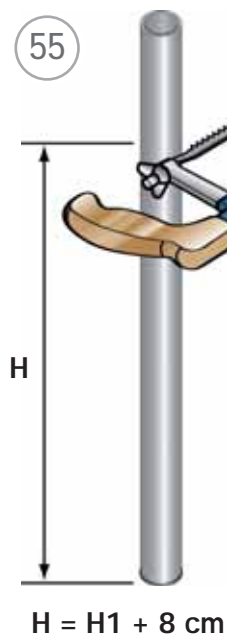




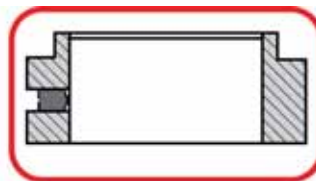
54



55



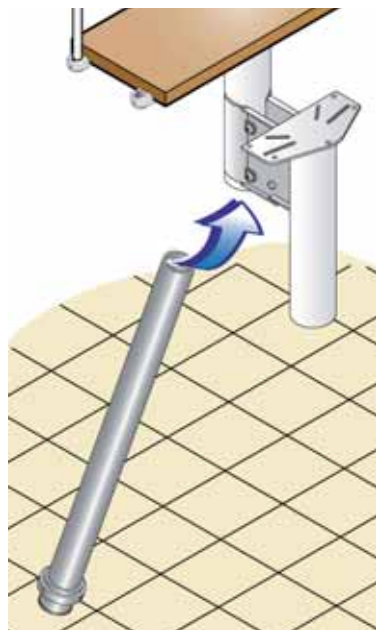
56



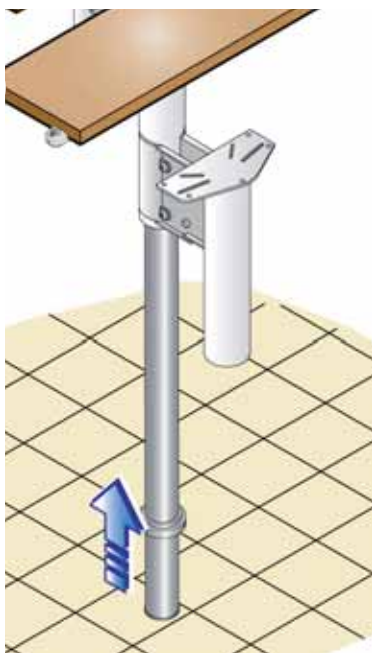
57



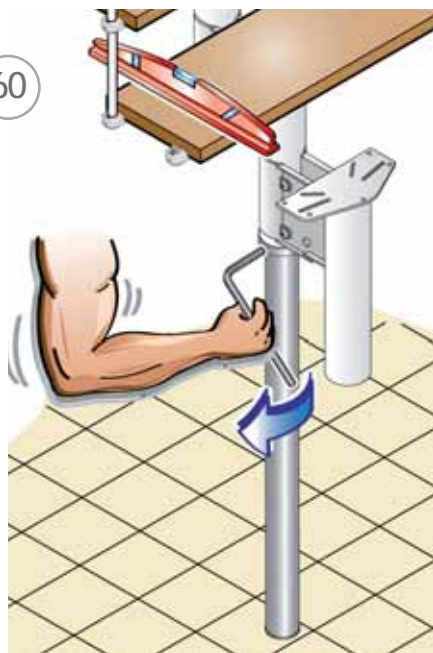
58



59

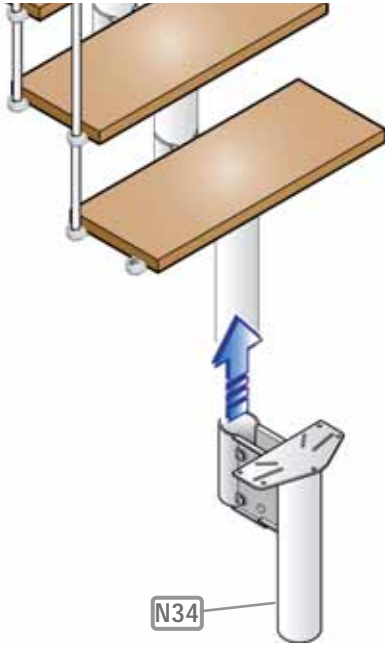


60

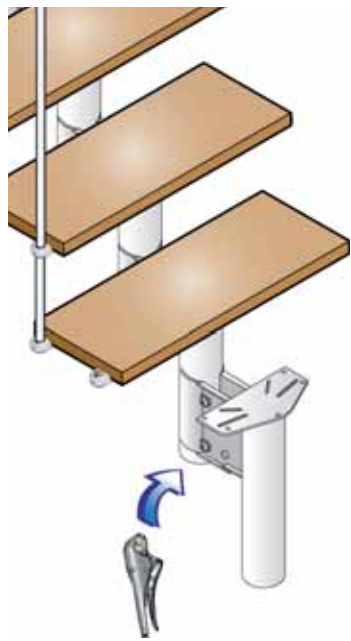




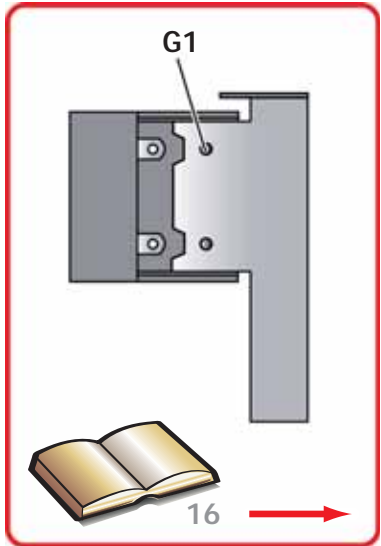
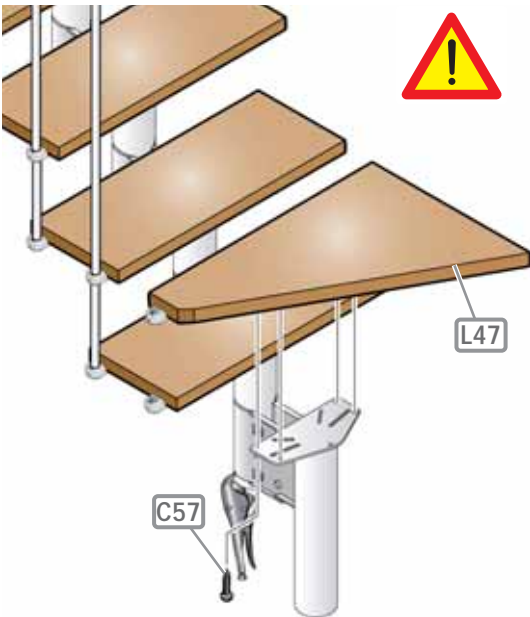
61



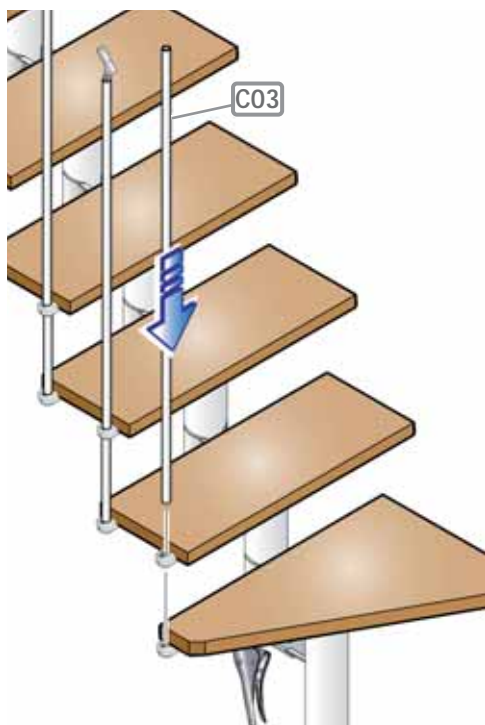
62



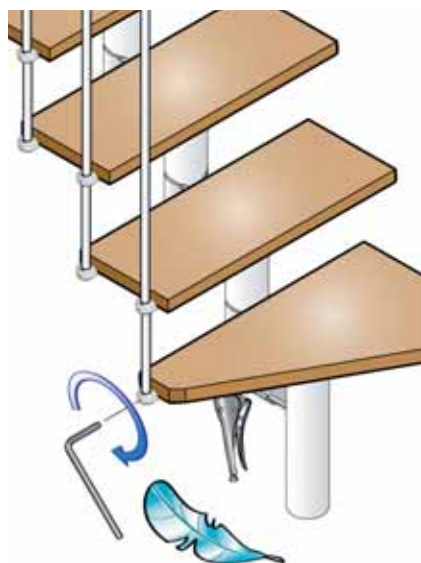
63



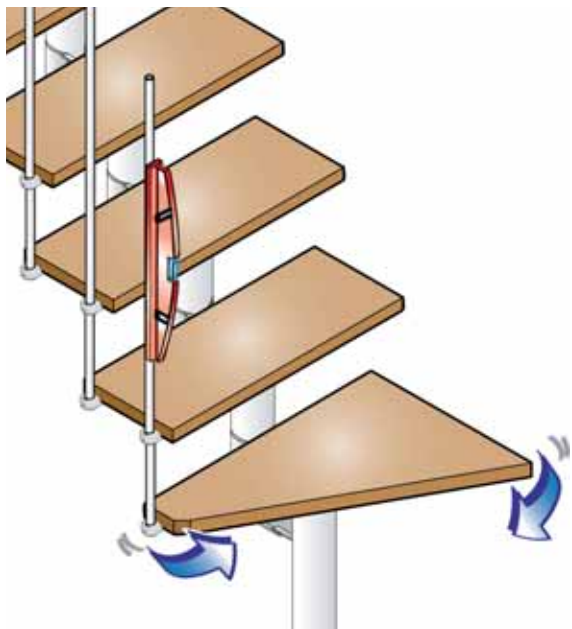
64



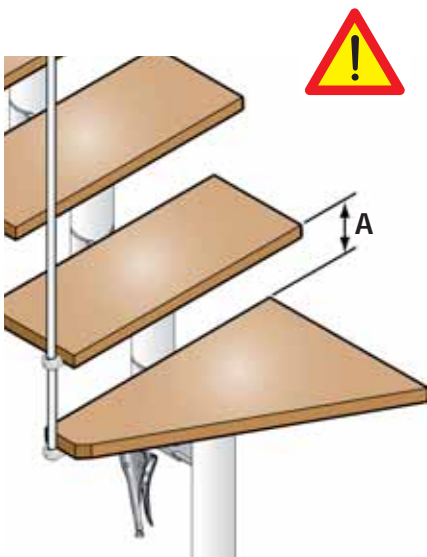
65



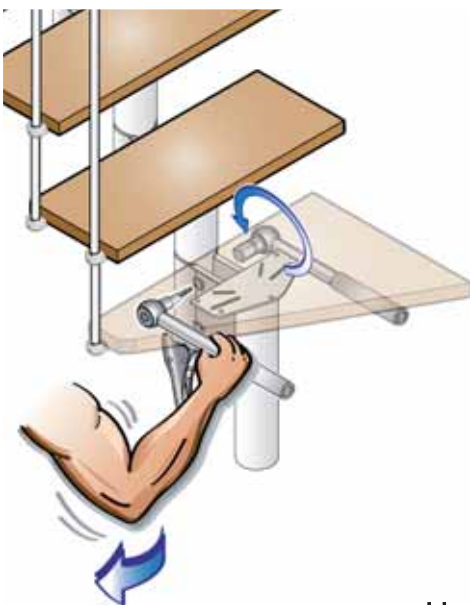
66

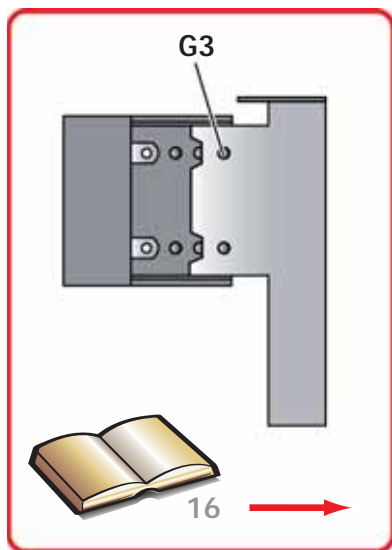
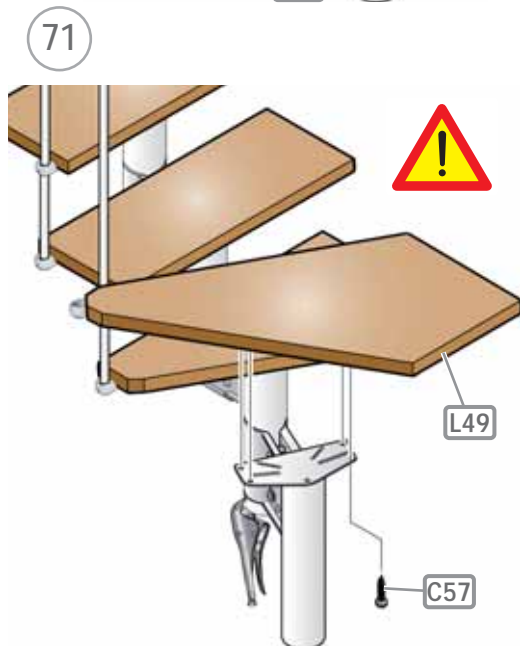
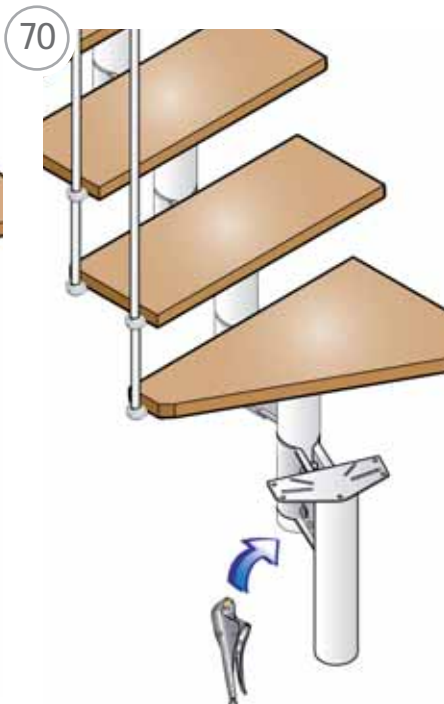
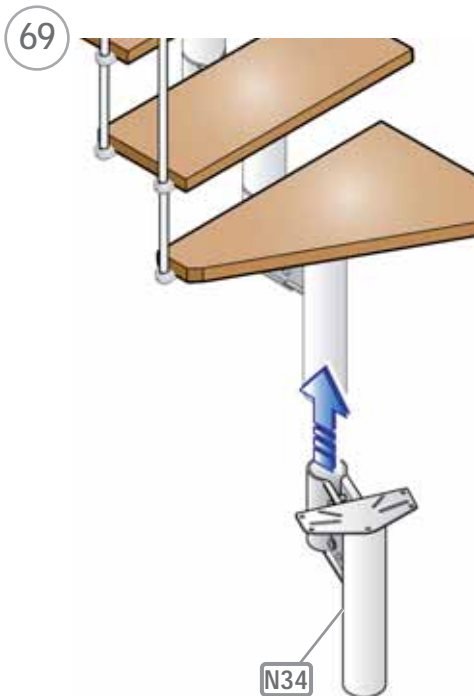


67

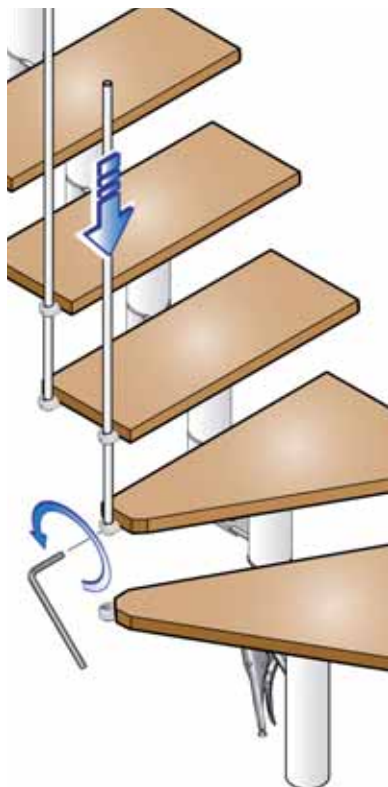


68

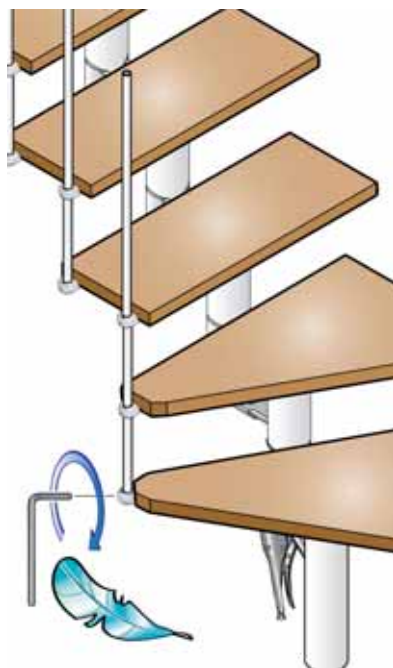




72

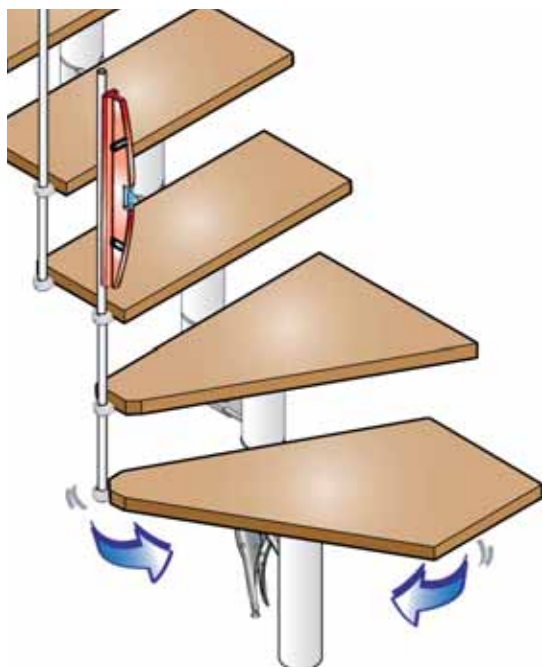


73

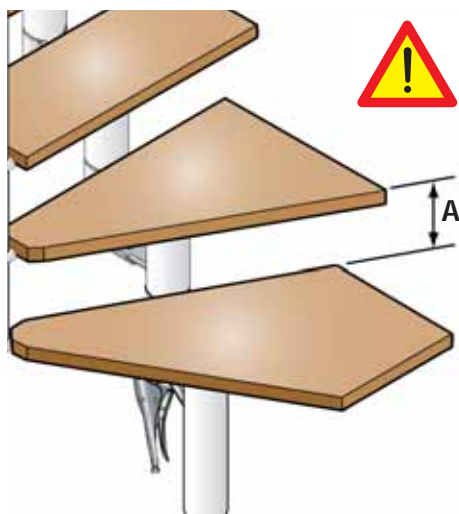


n4

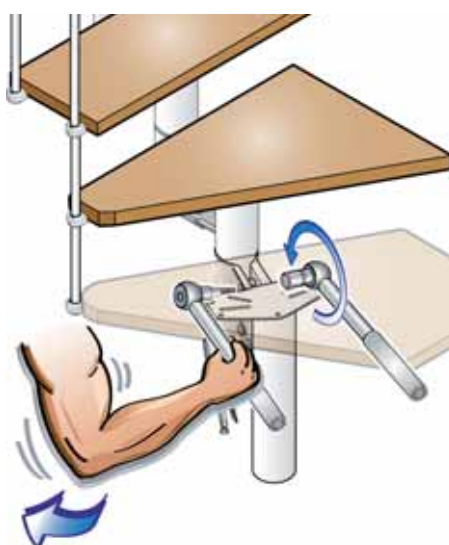
74

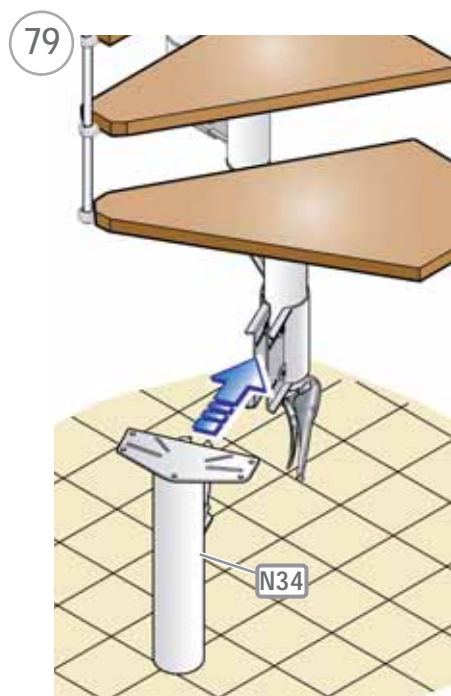
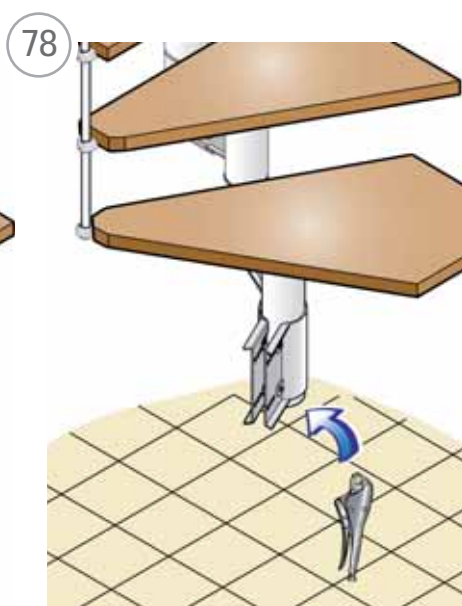
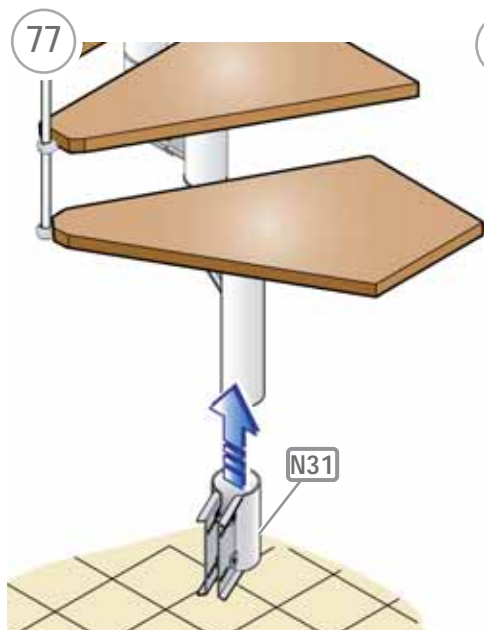


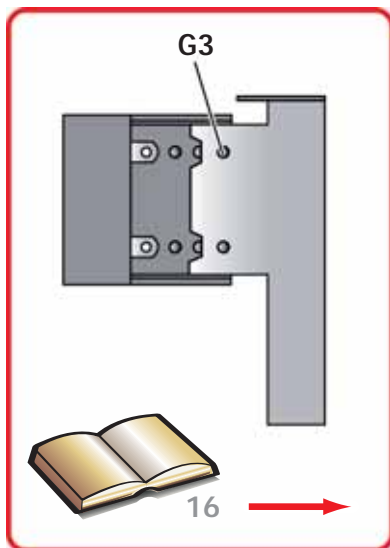
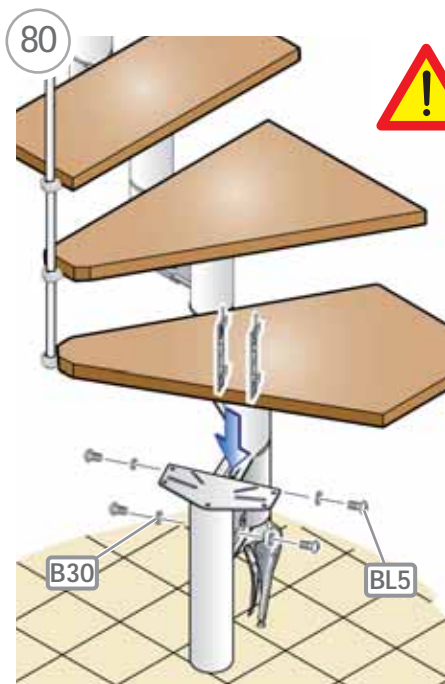
75



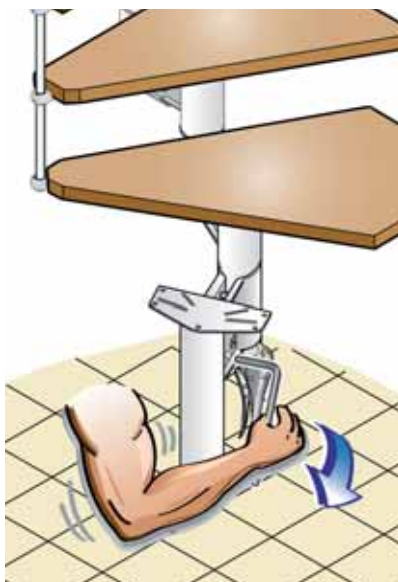
76





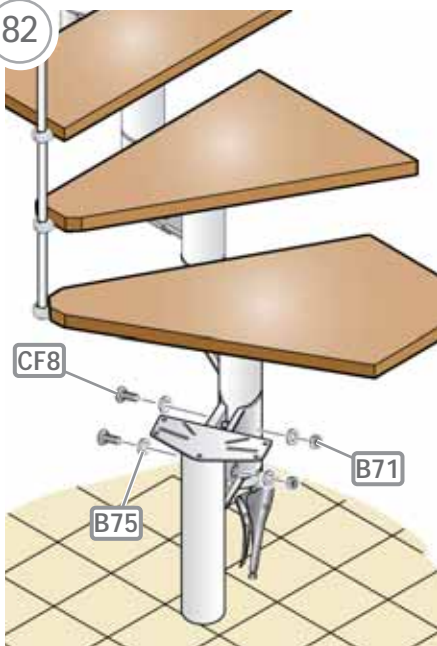


81

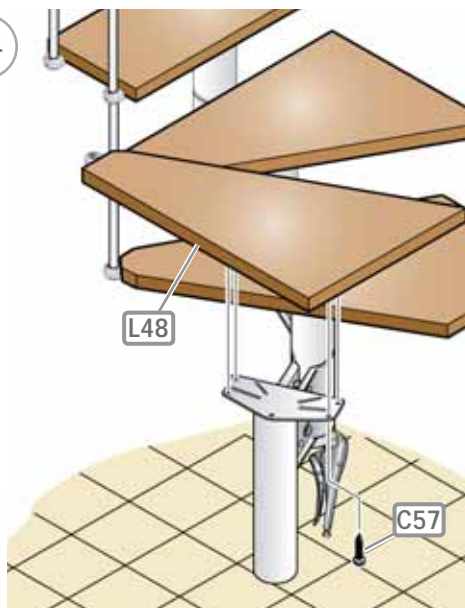


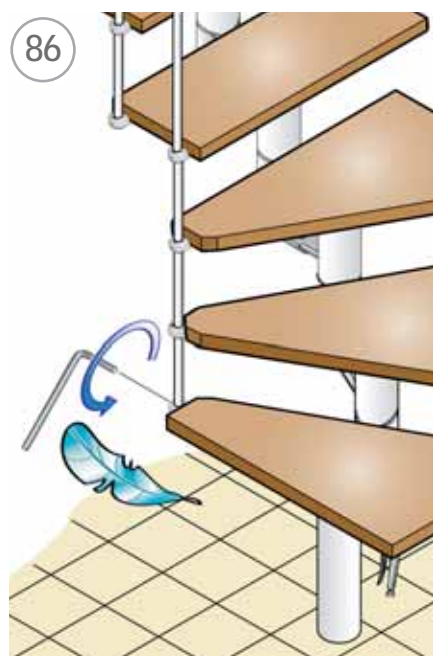
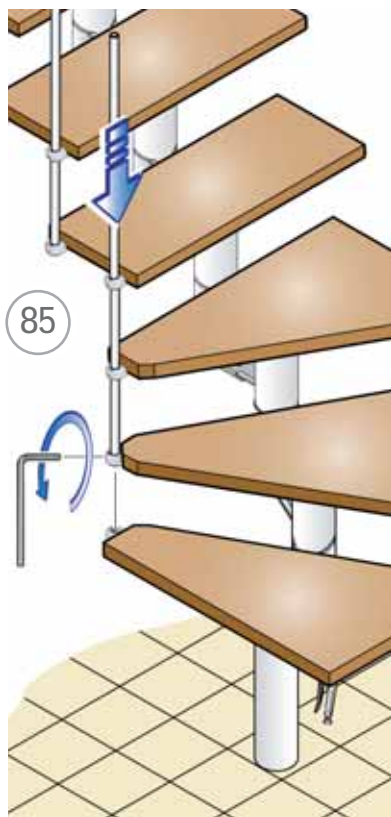


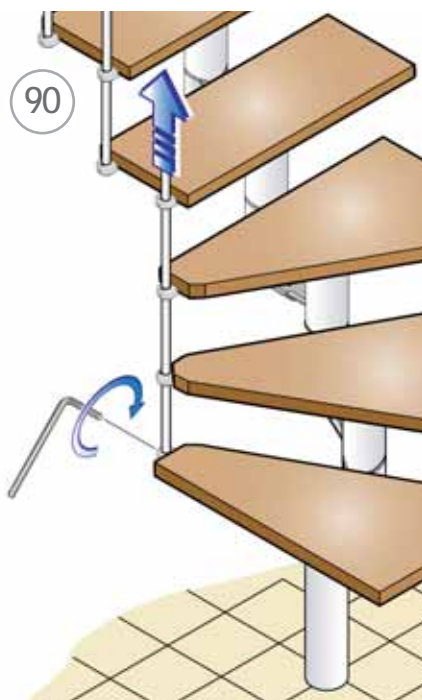
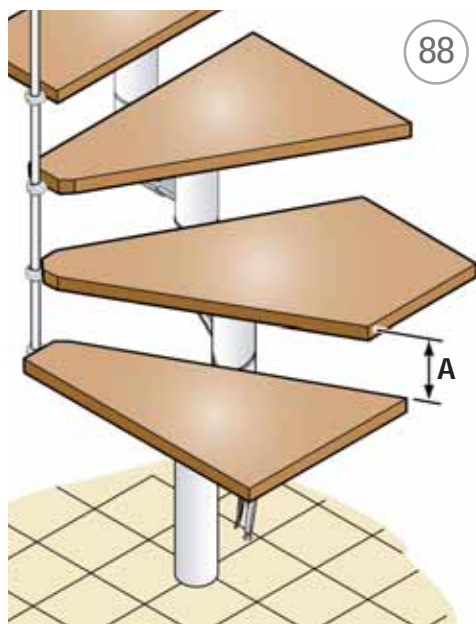
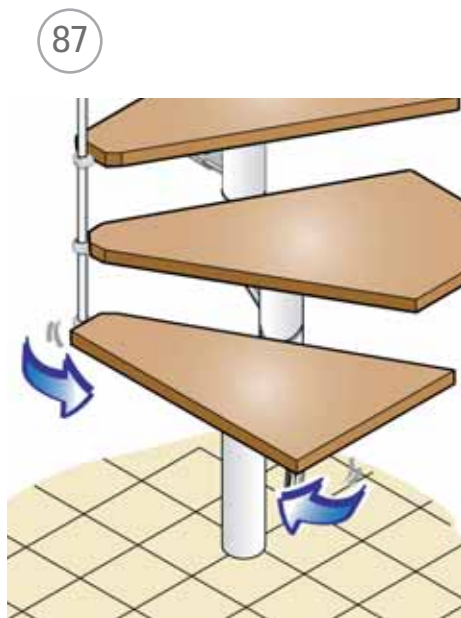
82

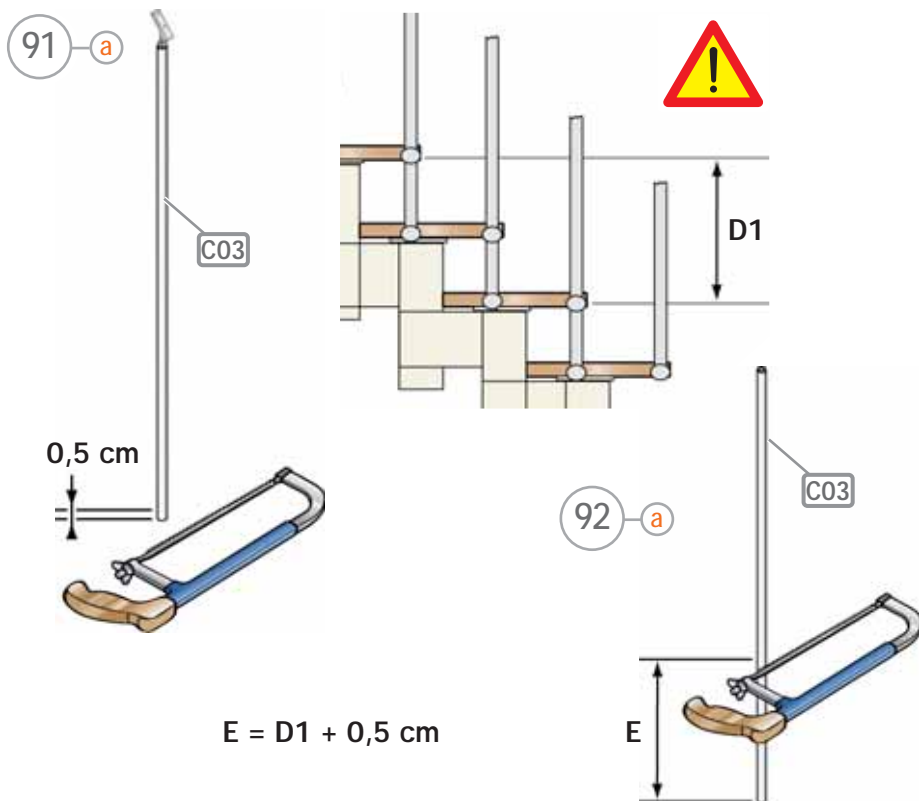
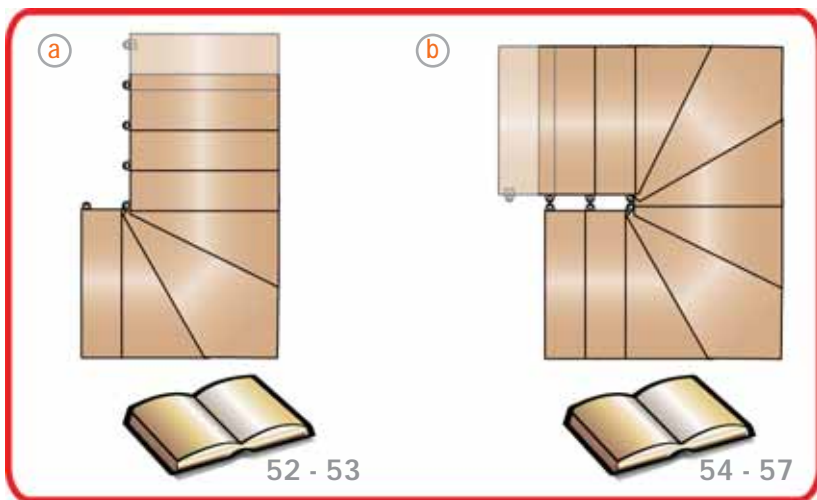


84

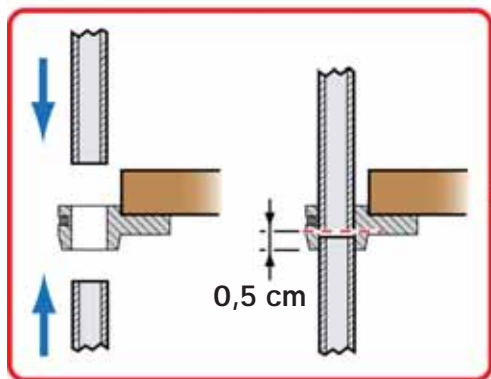
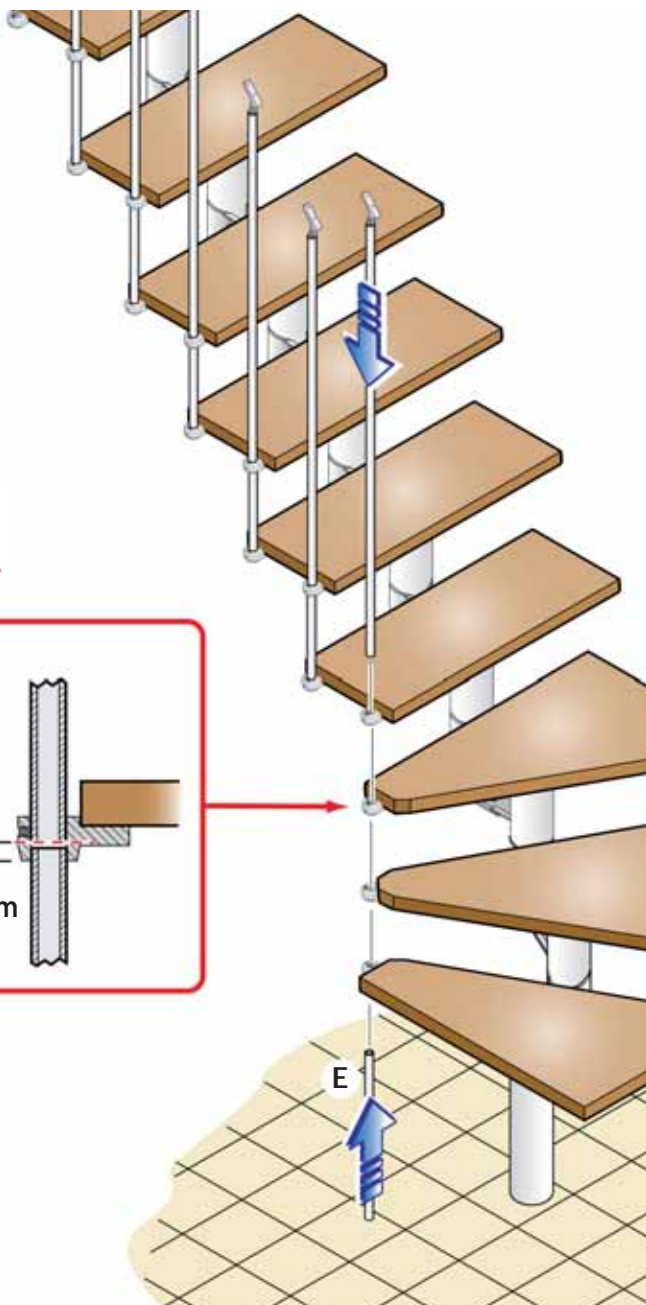






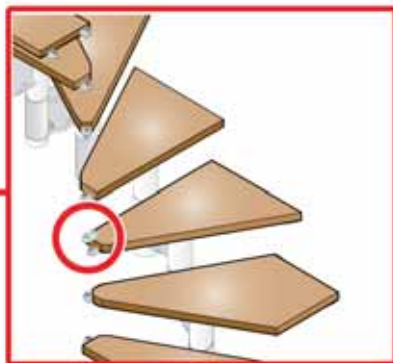
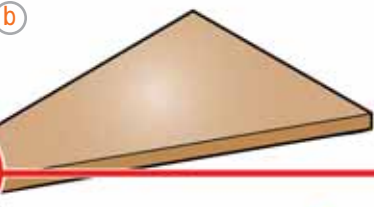


93 a

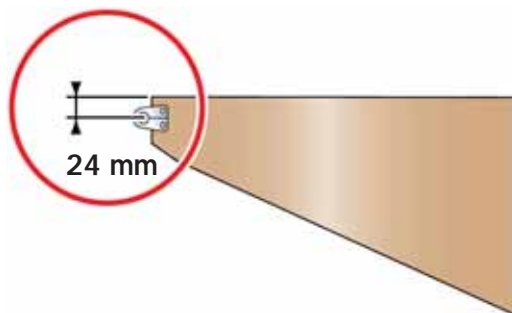
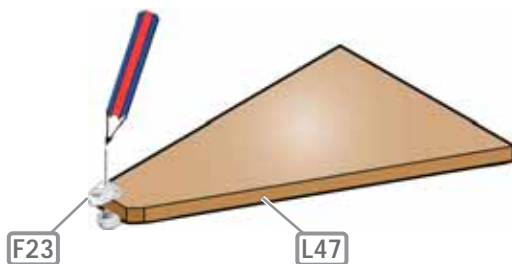


0,5 cm

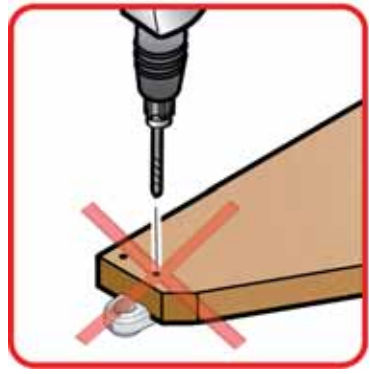
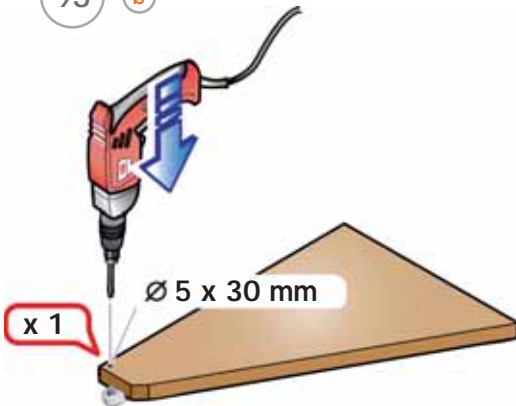
91 b



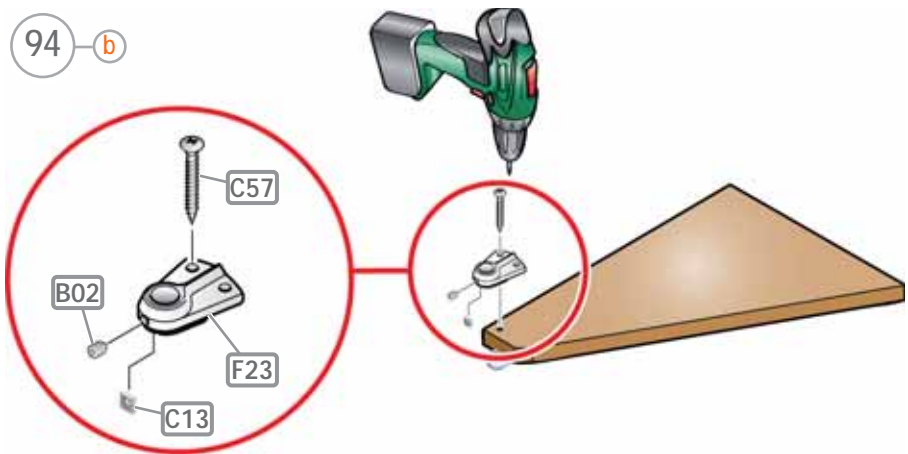
92 b

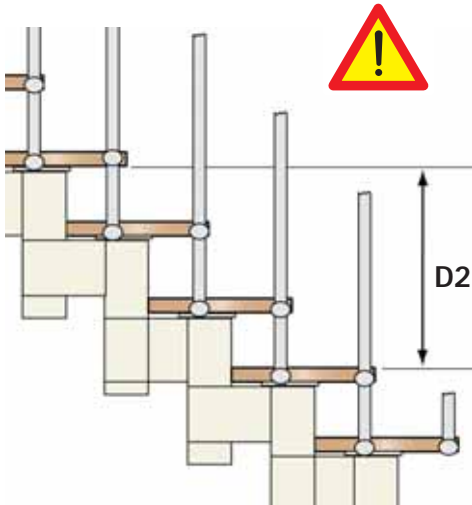
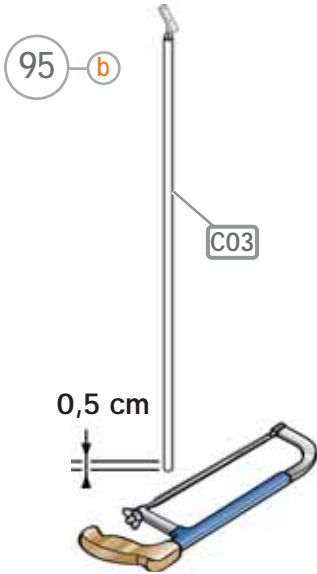


93 (b)

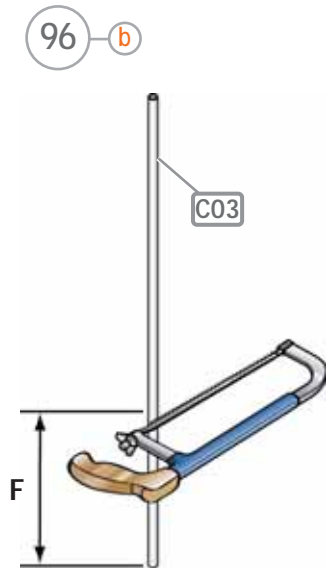


94 (b)



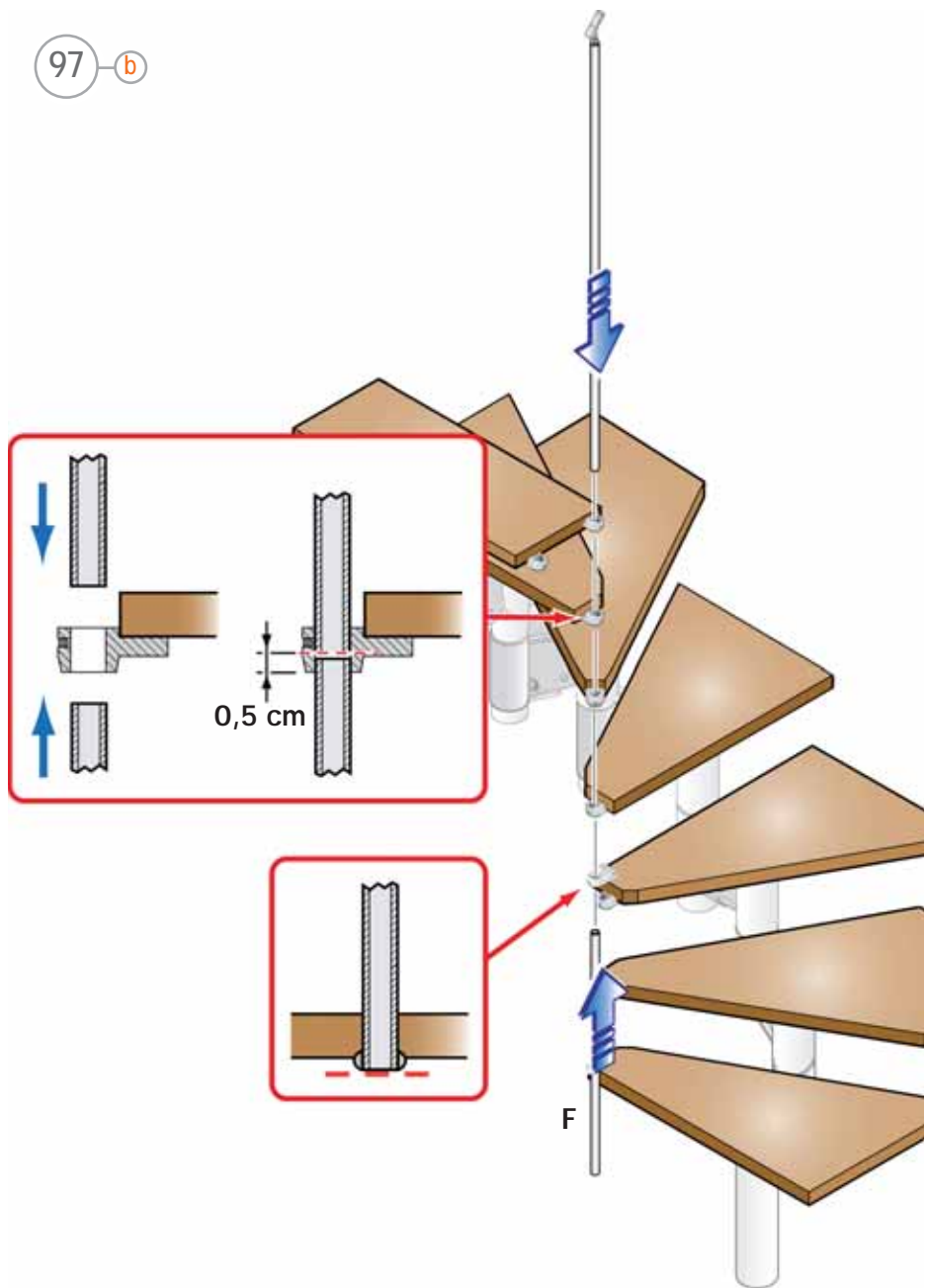


$$F = D2 + 0,5 \text{ cm}$$

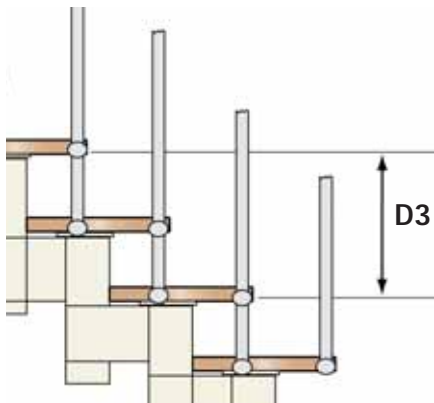
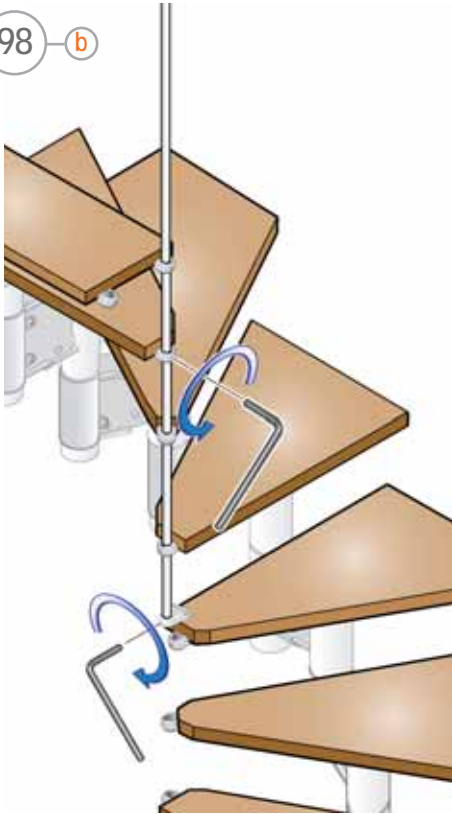




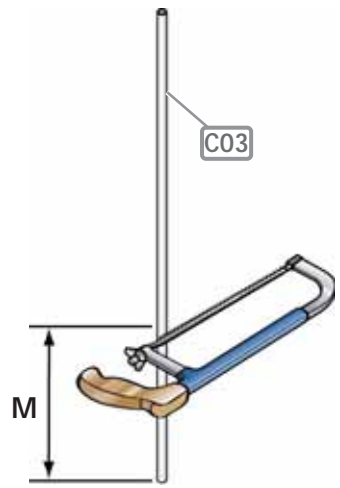
97 b



98 b

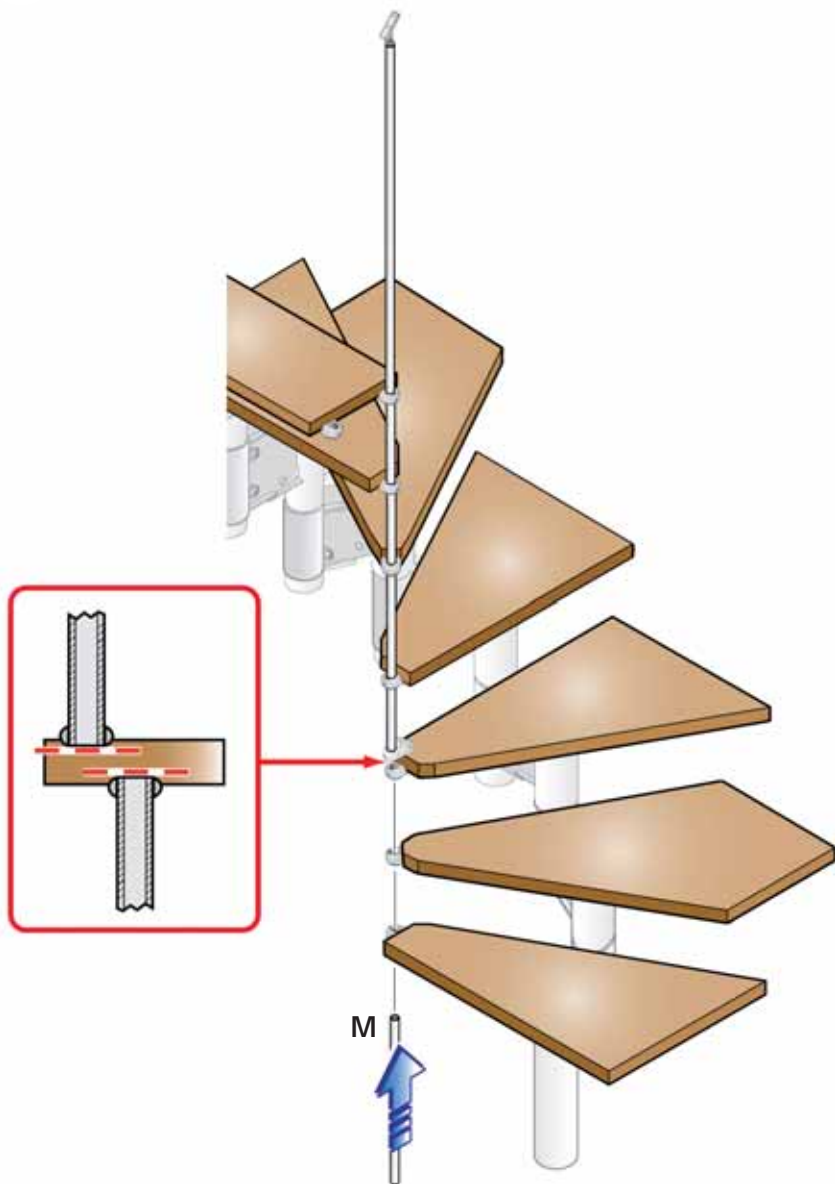


99 b

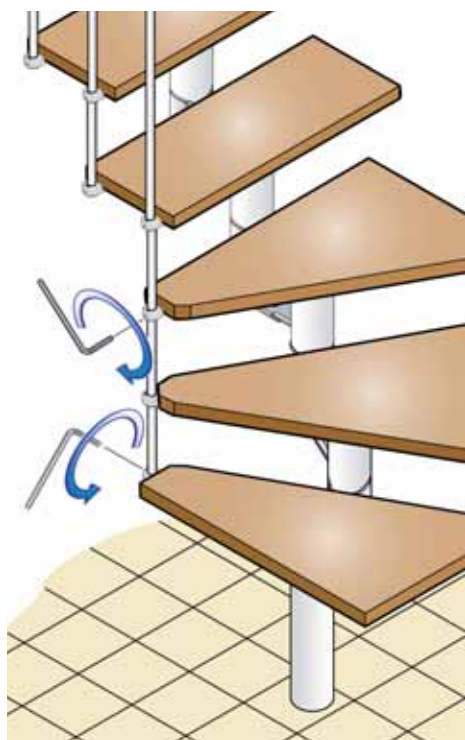


$$M = D3 + 2 \text{ cm}$$

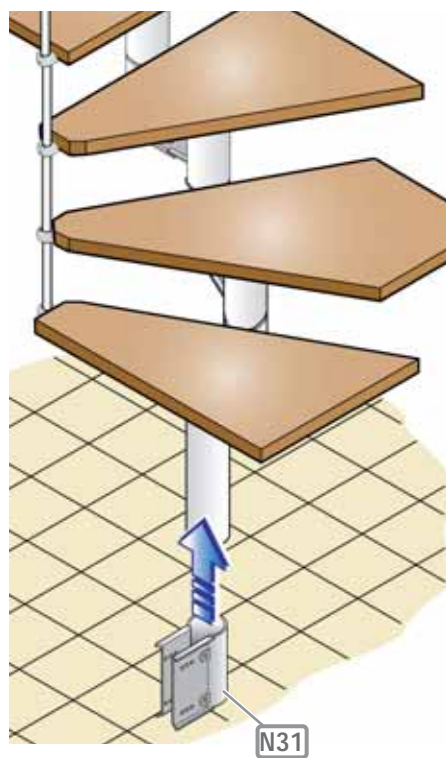




101



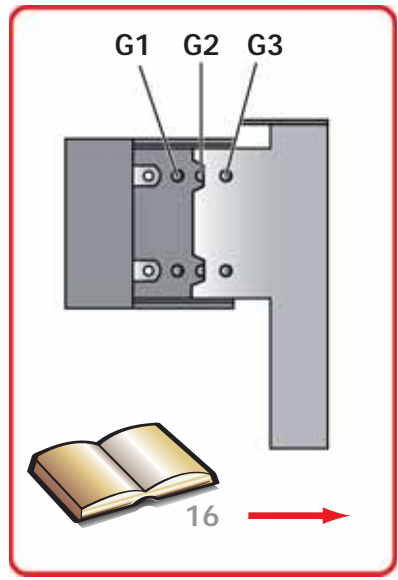
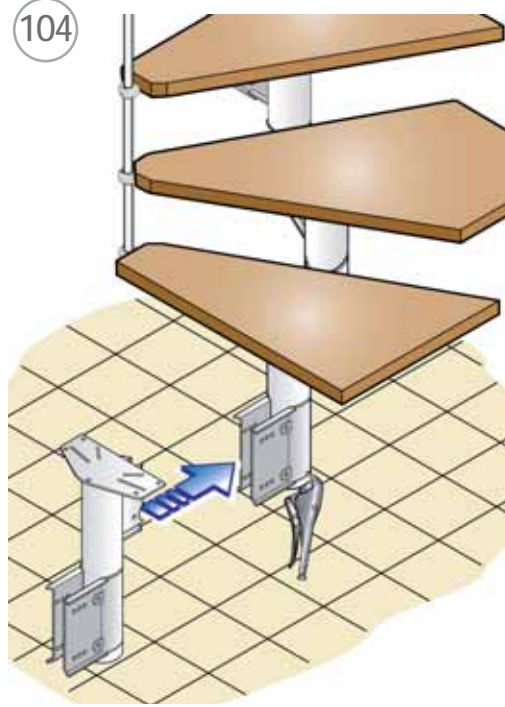
102



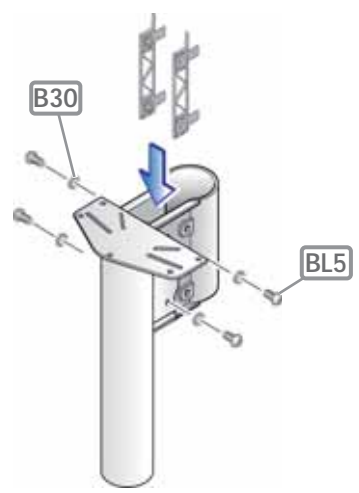
103



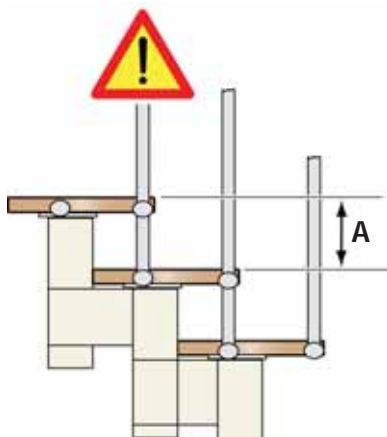
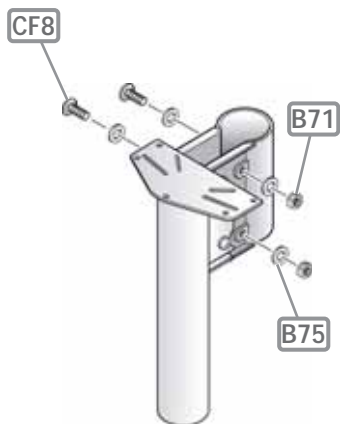
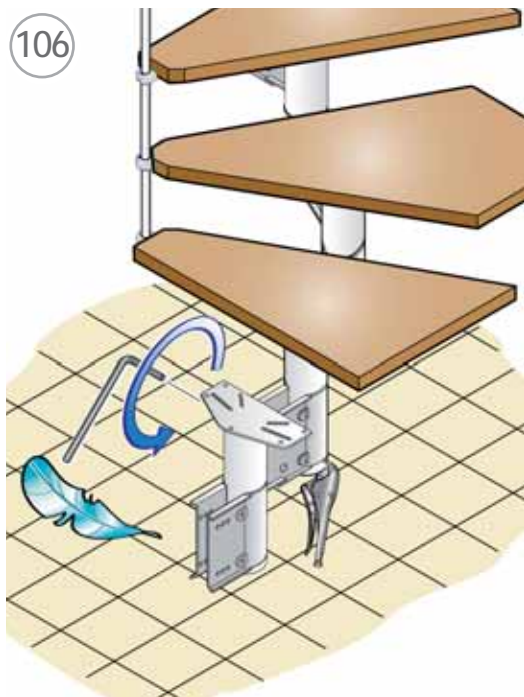
104



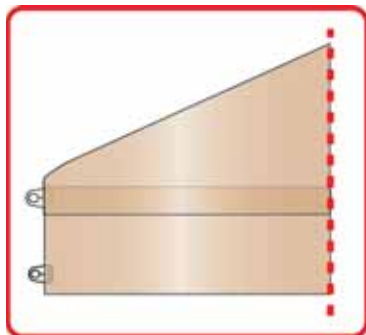
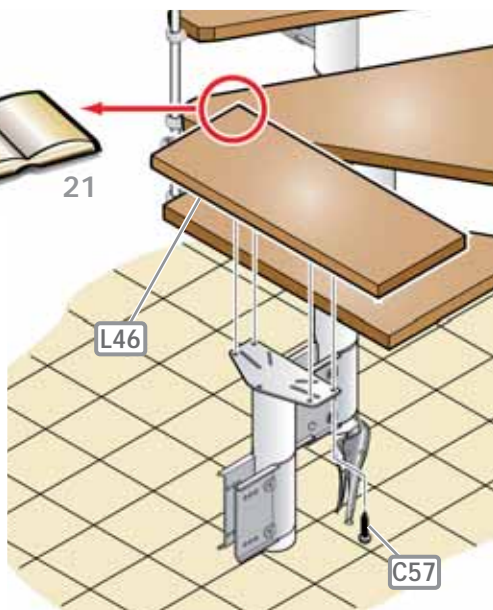
105



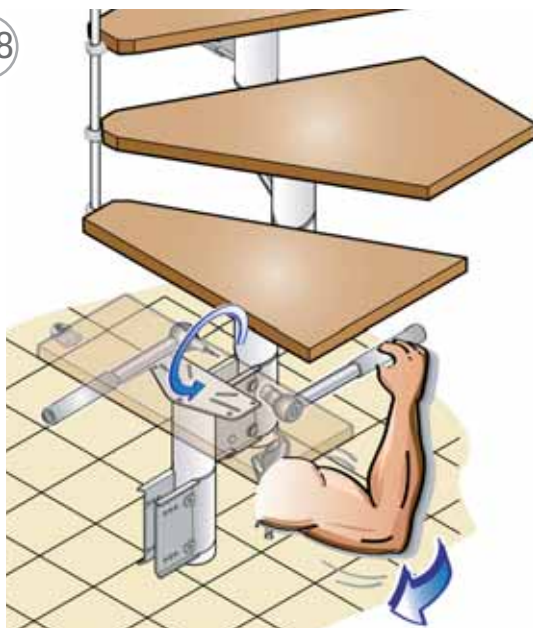
106



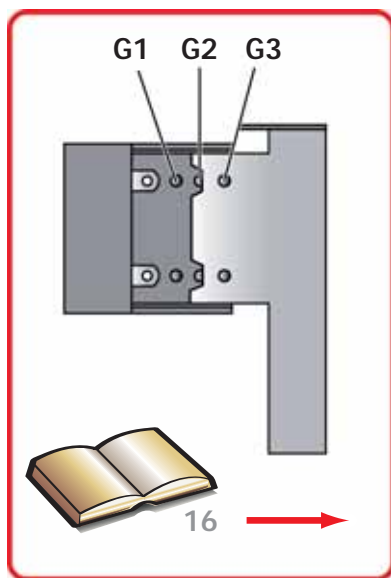
107



108

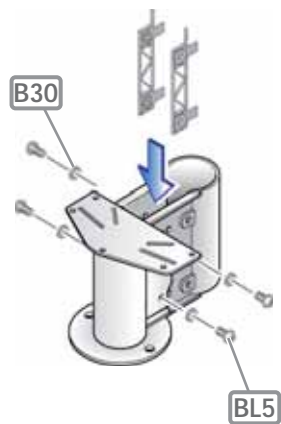


109

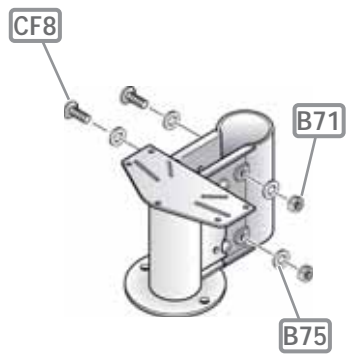


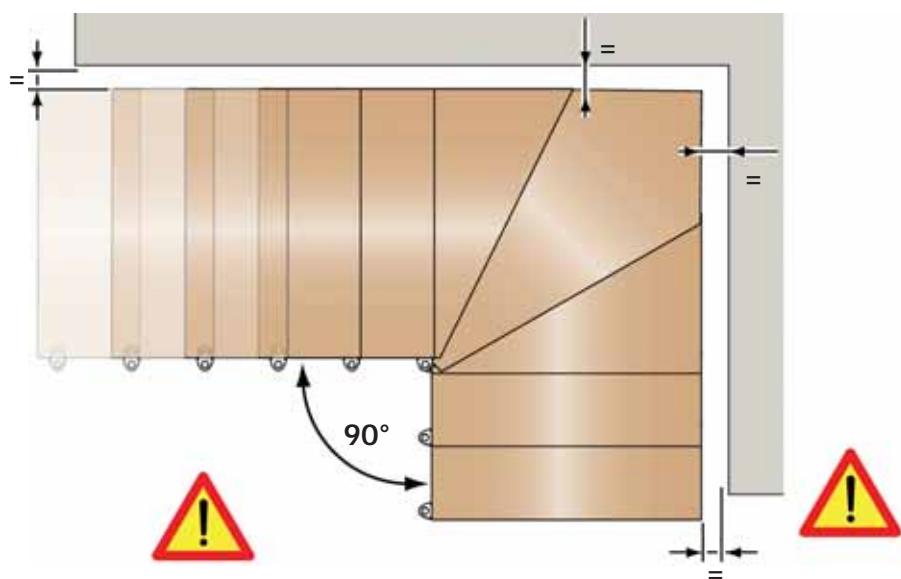
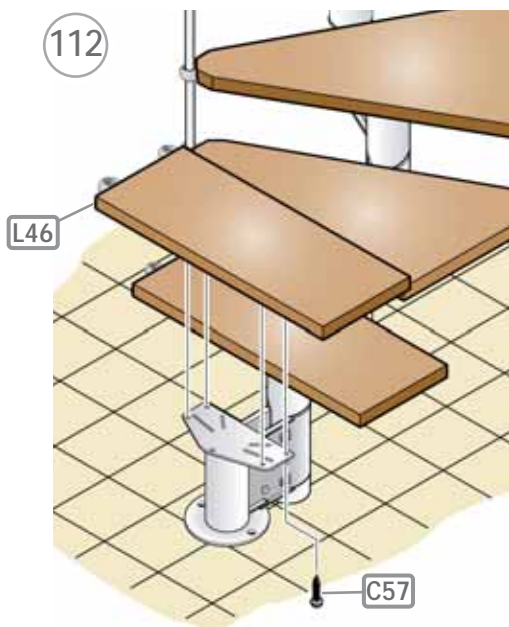


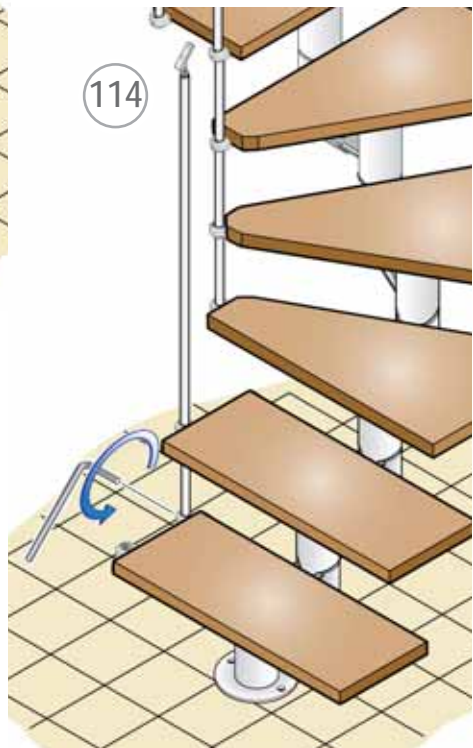
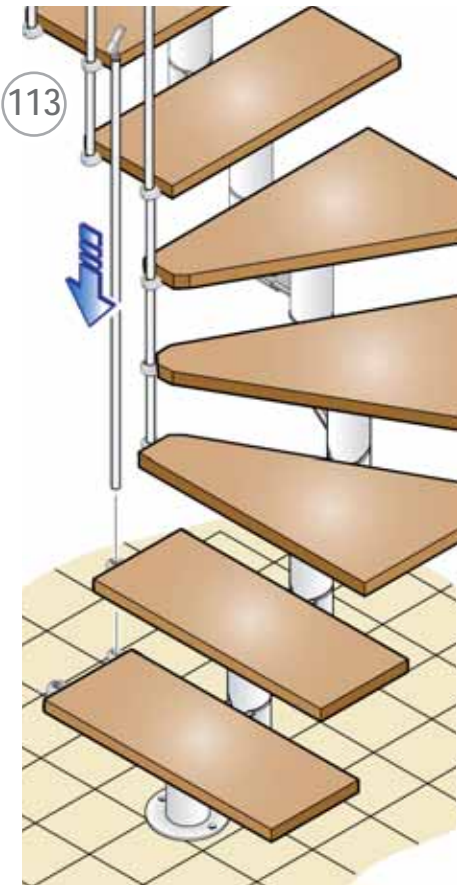
110

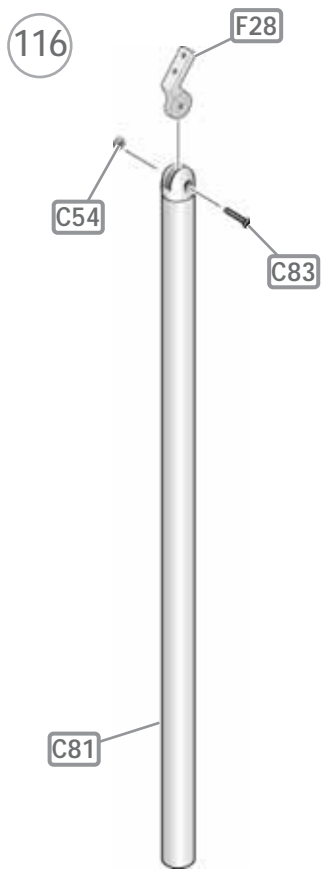
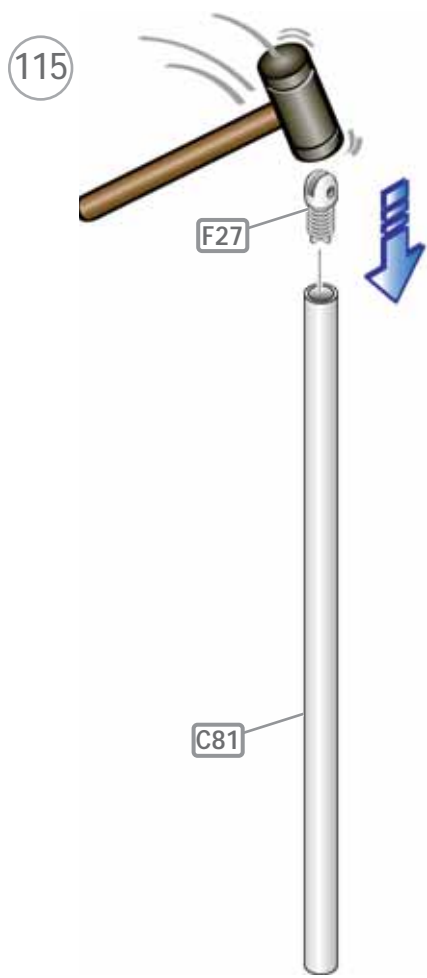


111

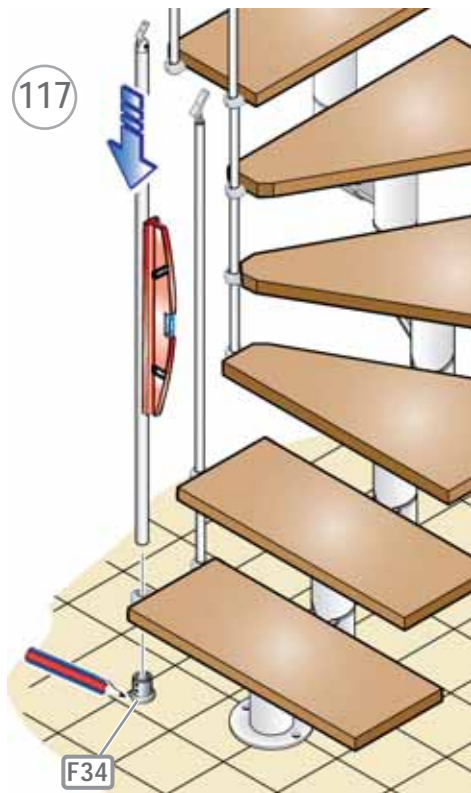




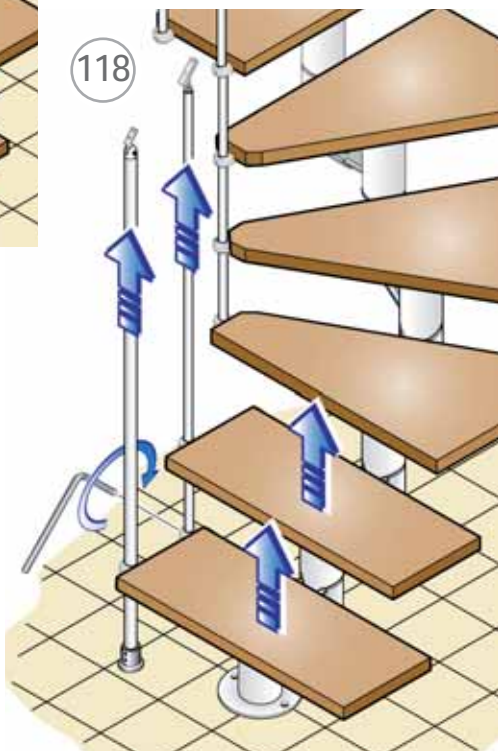


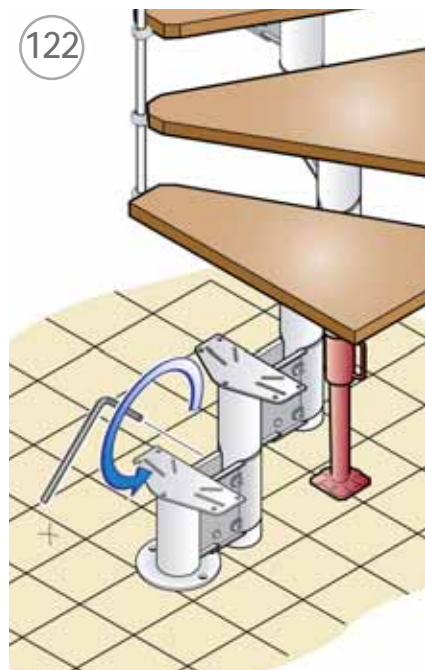
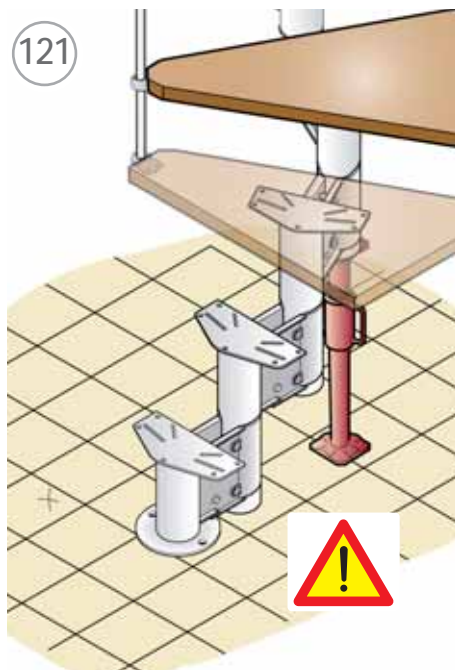
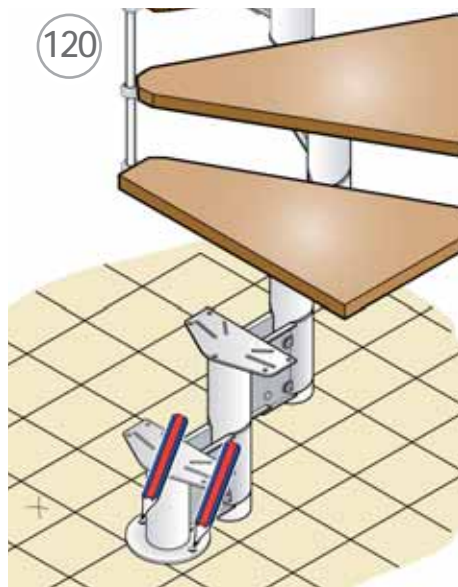
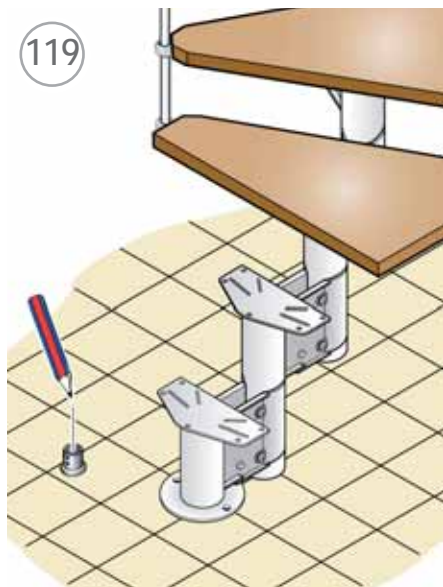


117

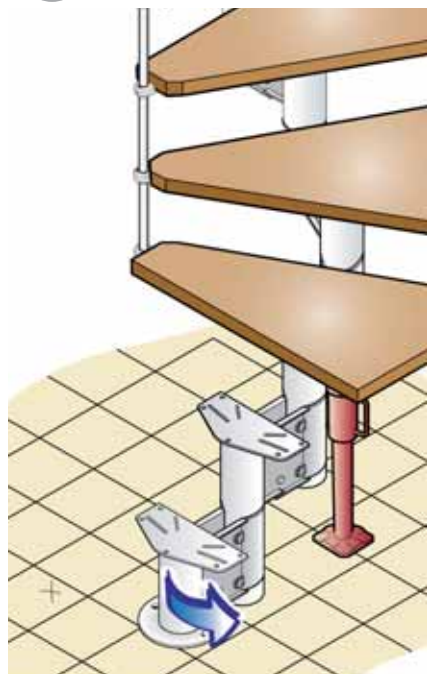


118

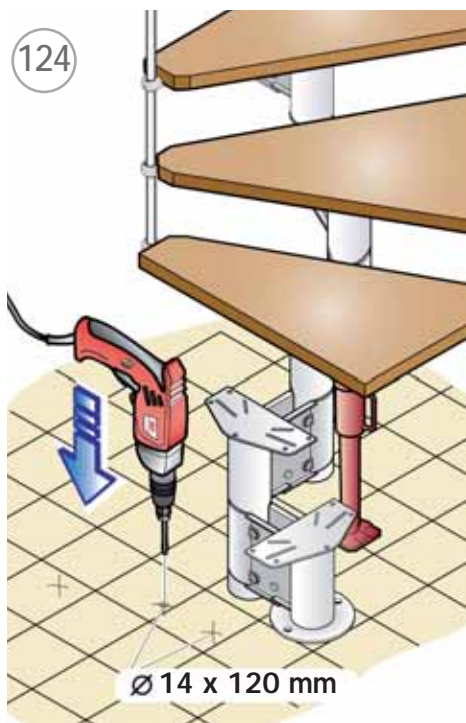




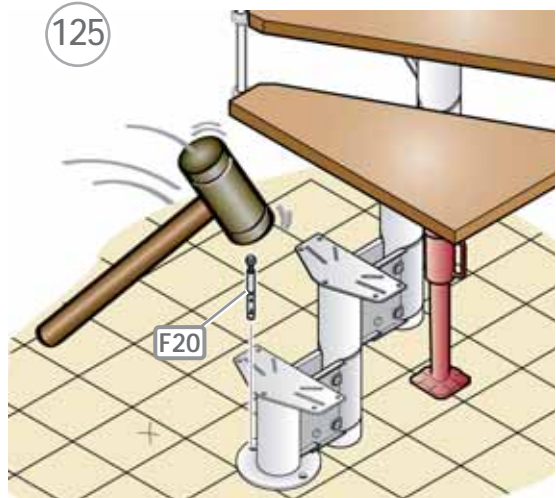
123



124



125

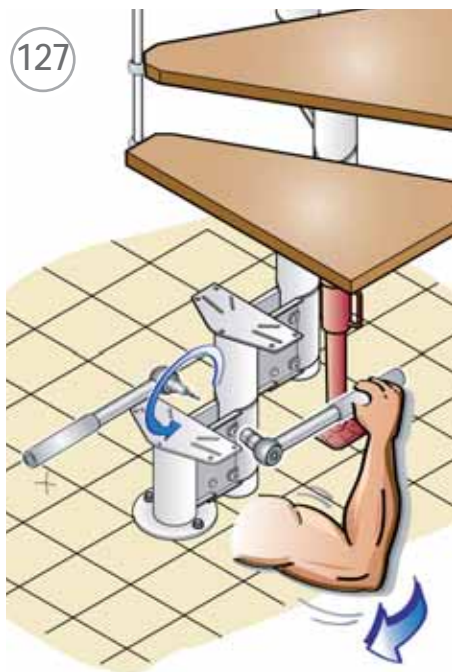


126

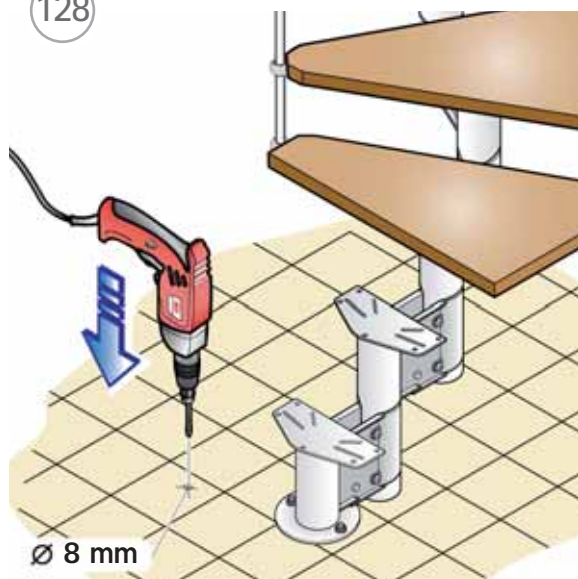
126



127

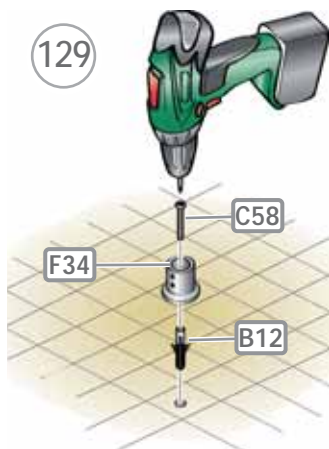


128



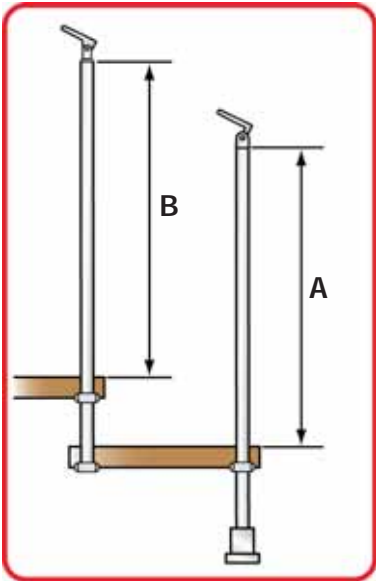
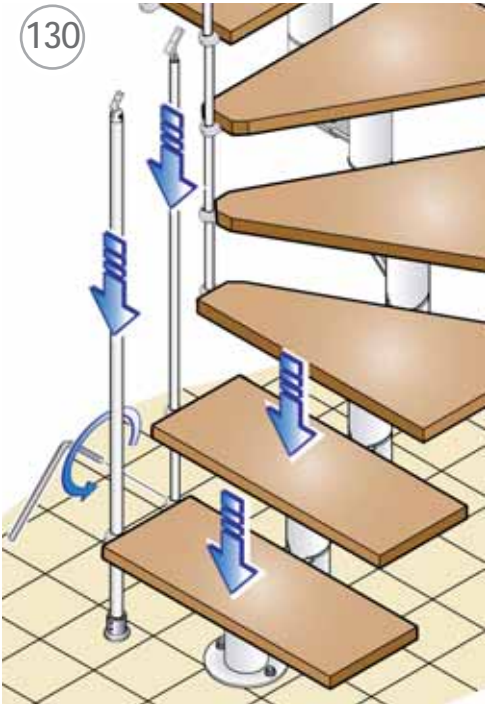
Ø 8 mm

129

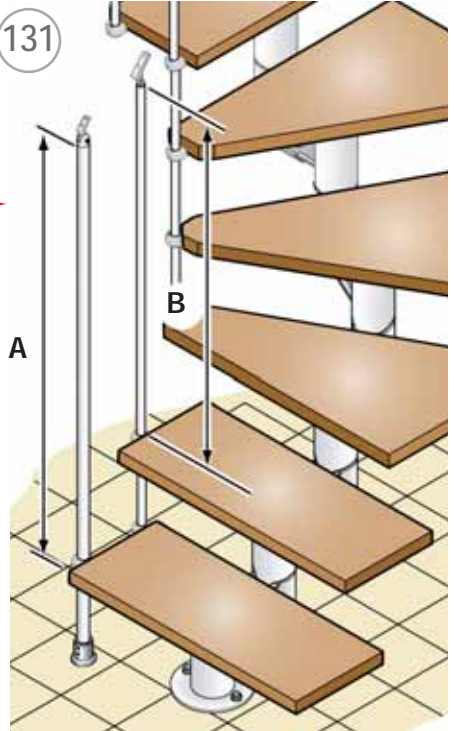




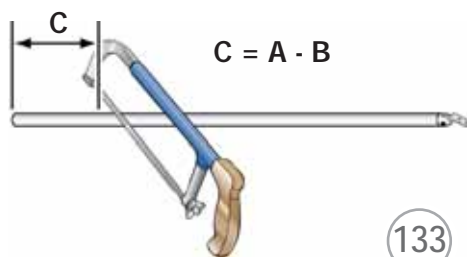
130



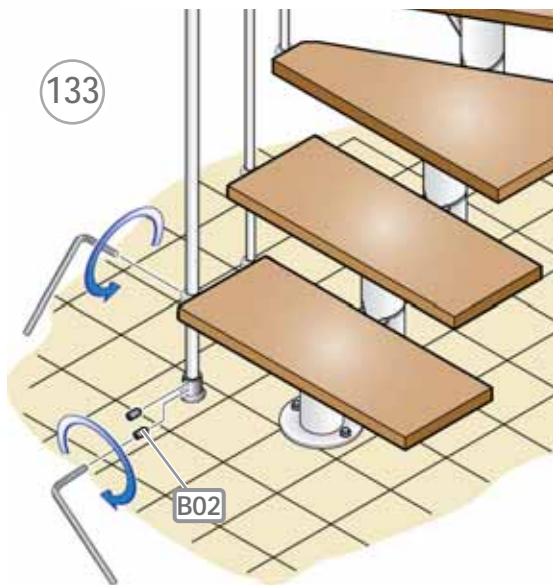
131



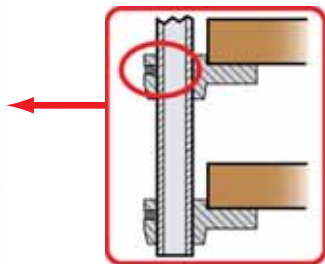
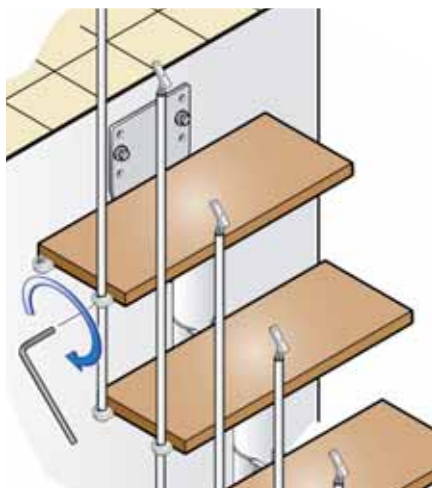
132



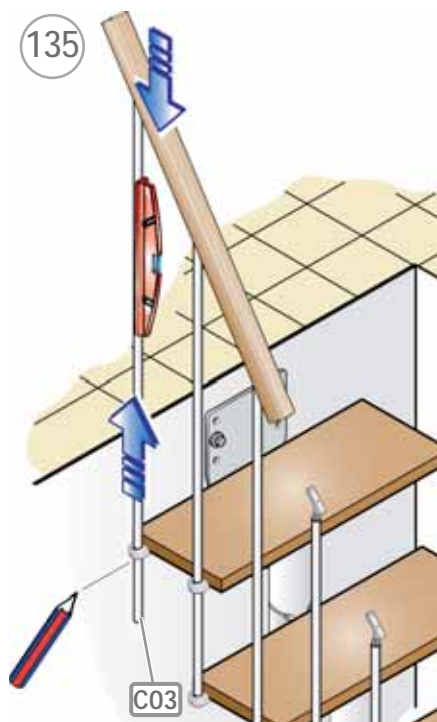
133



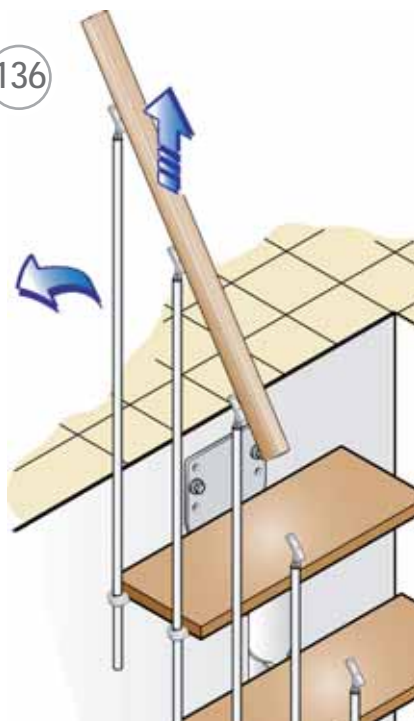
134



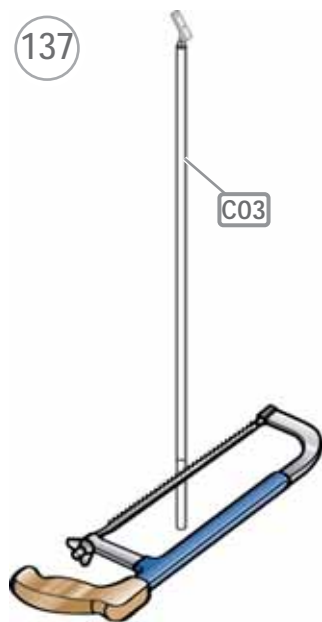
135



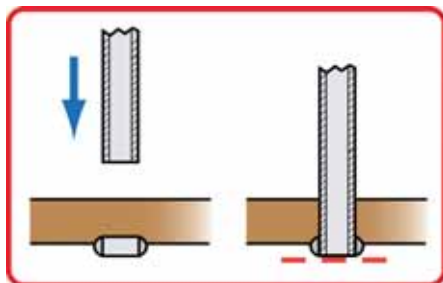
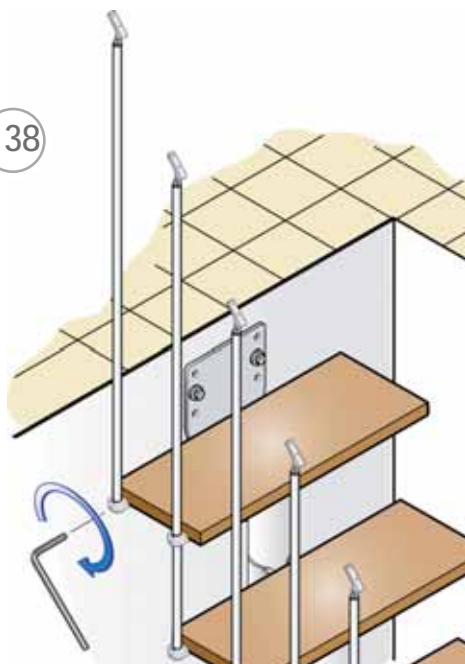
136

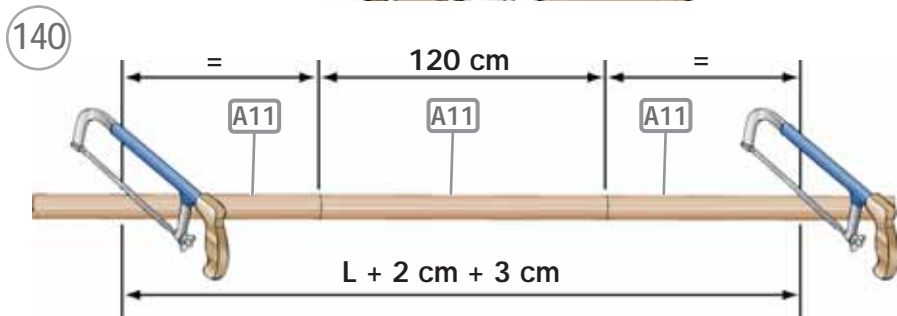
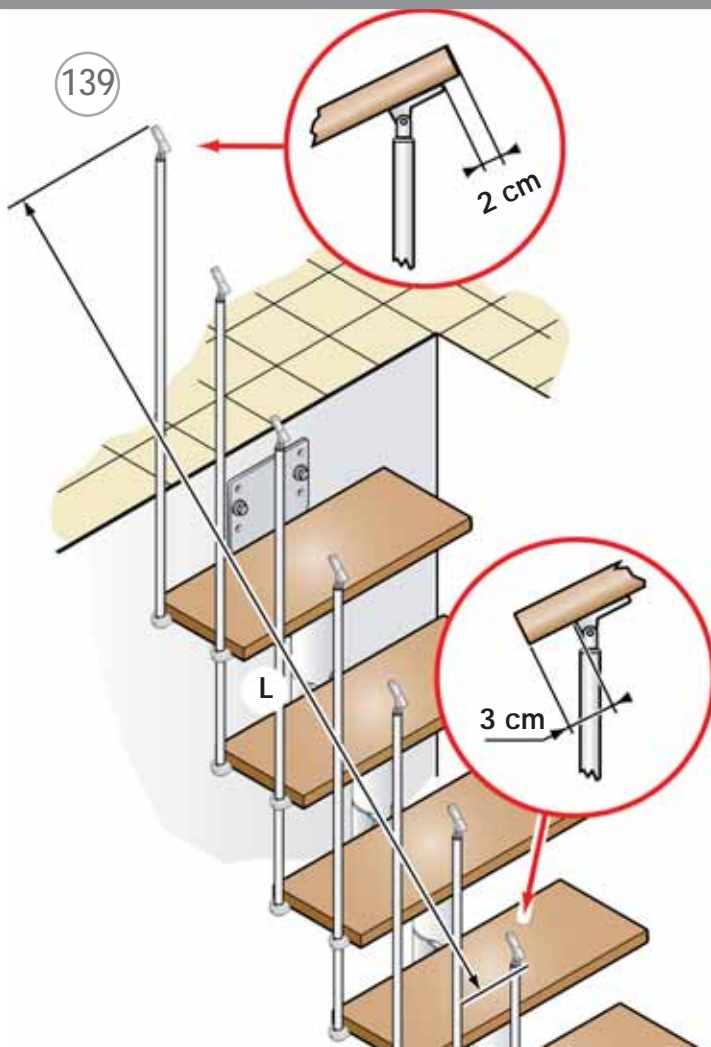


137



138

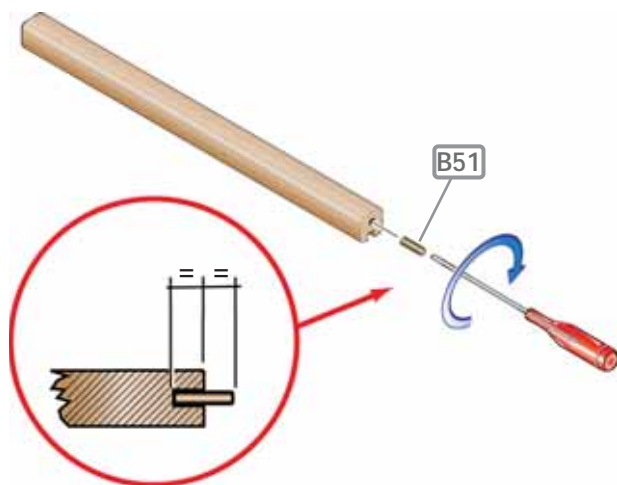




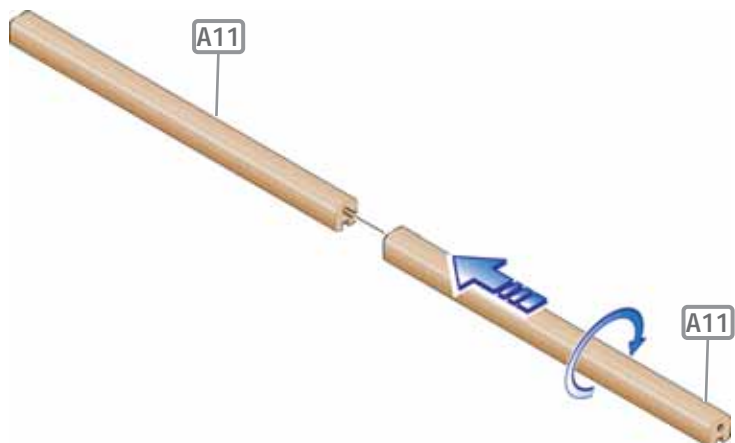
141



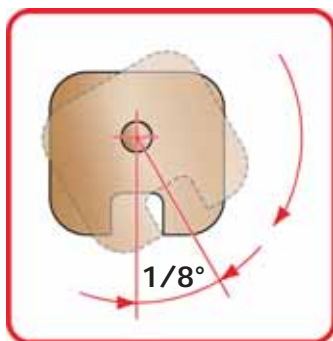
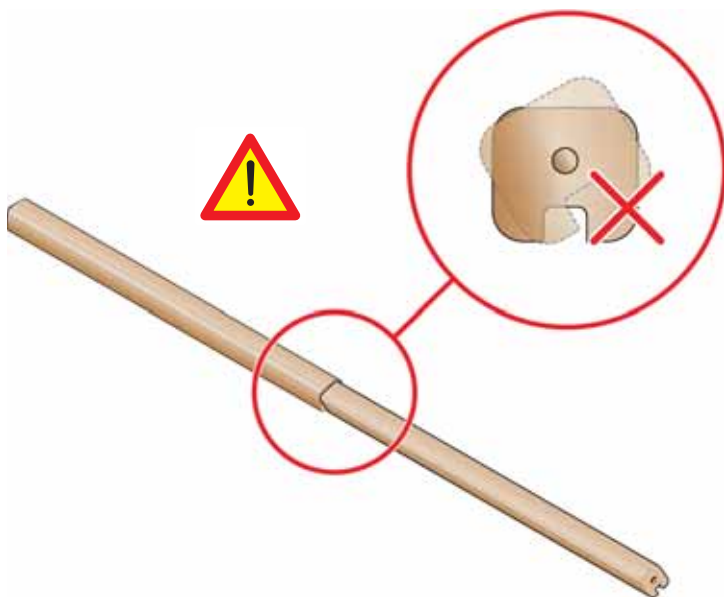
142



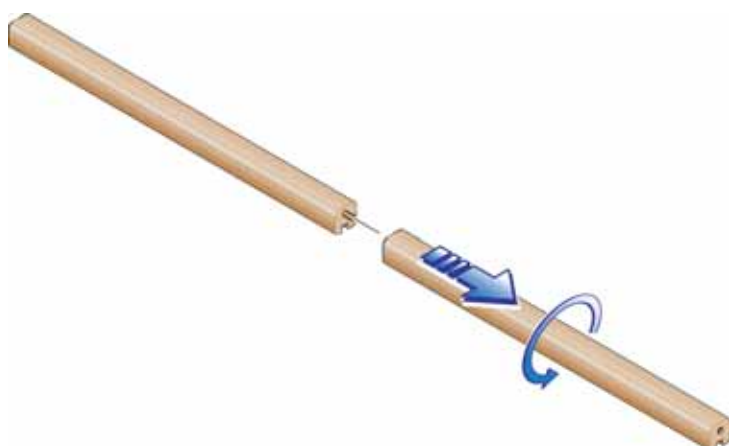
143



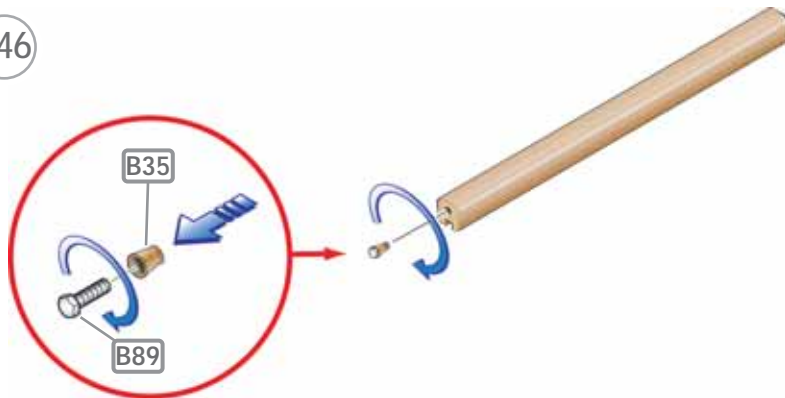
144



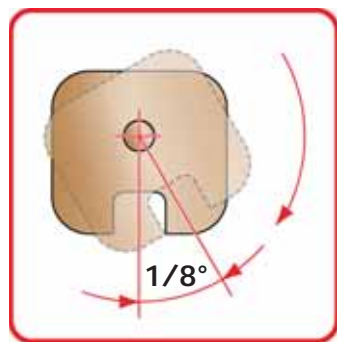
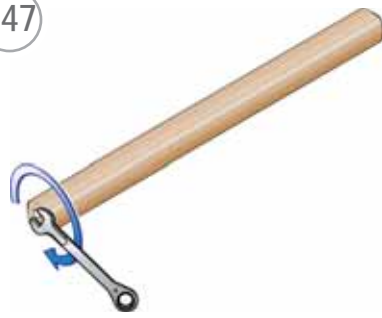
145



146

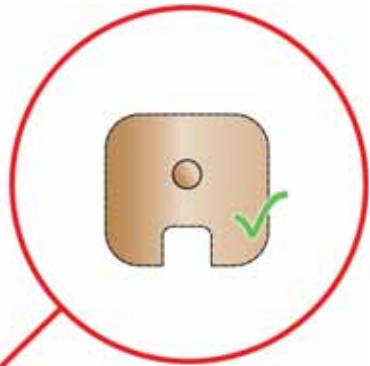


147





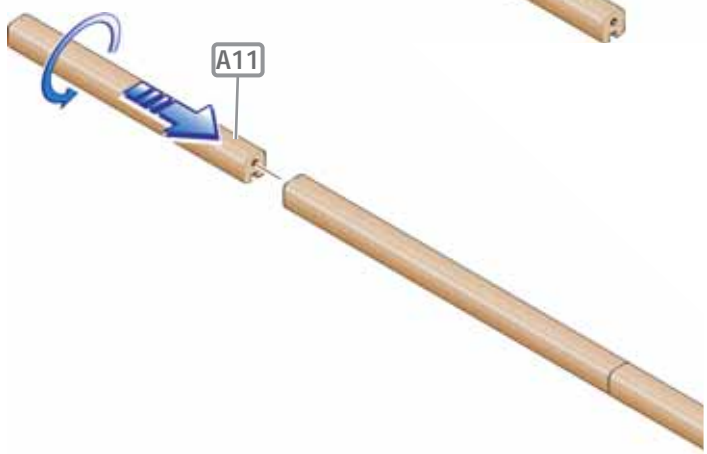
148



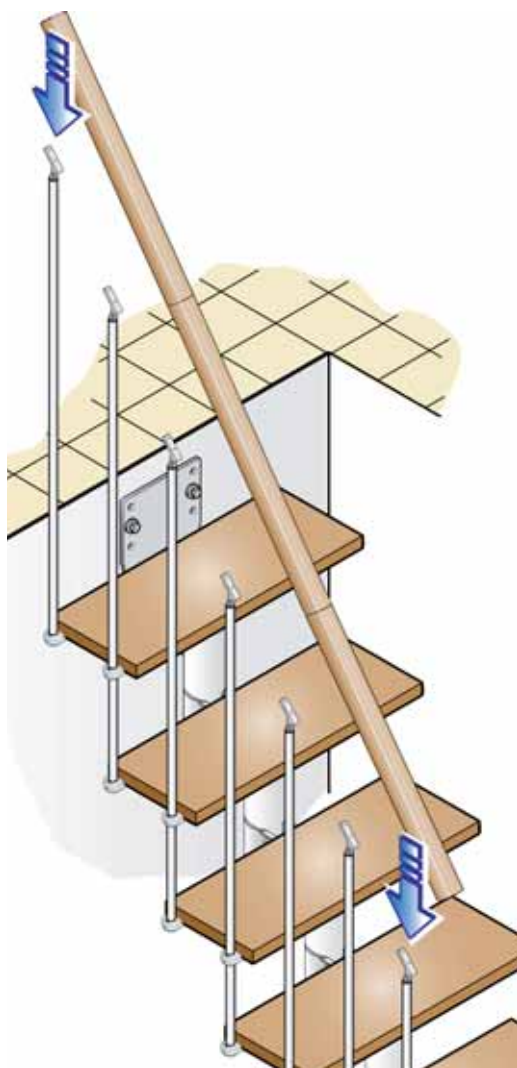
149

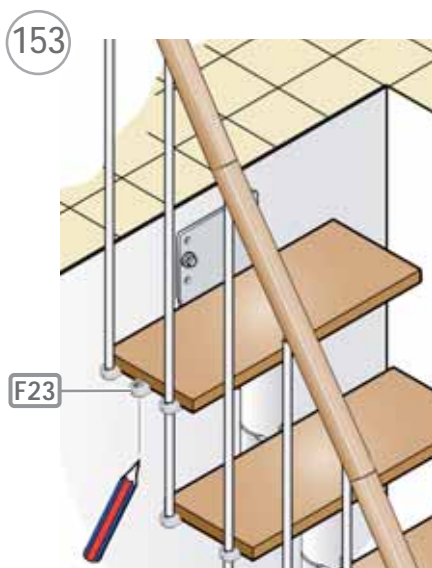
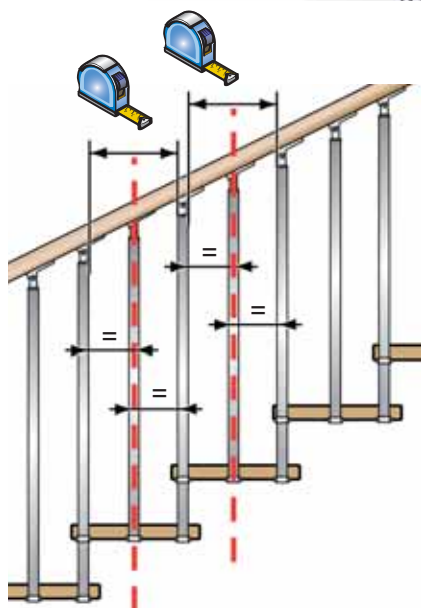
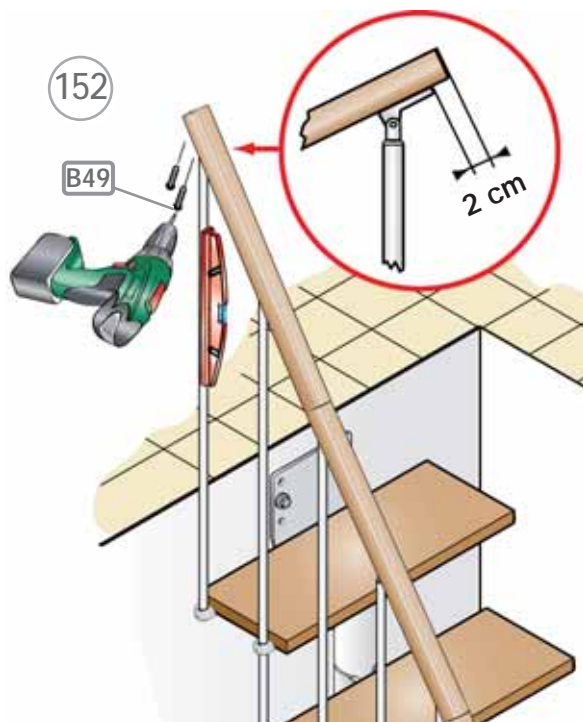


150

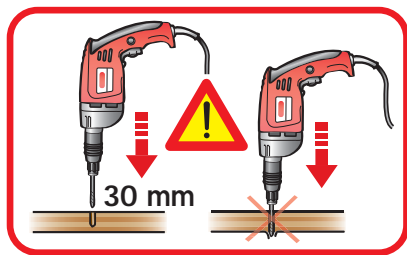
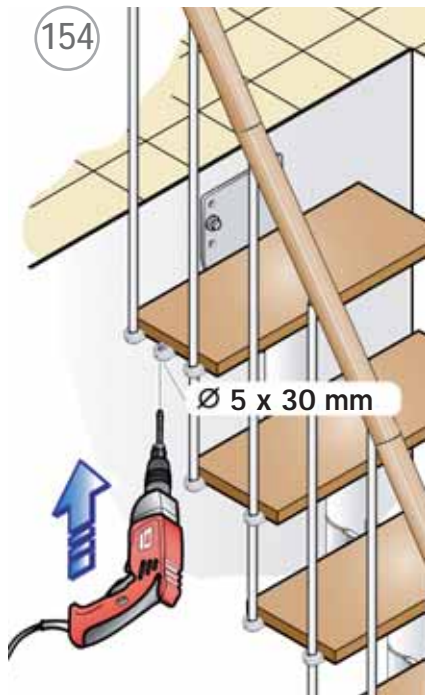


151

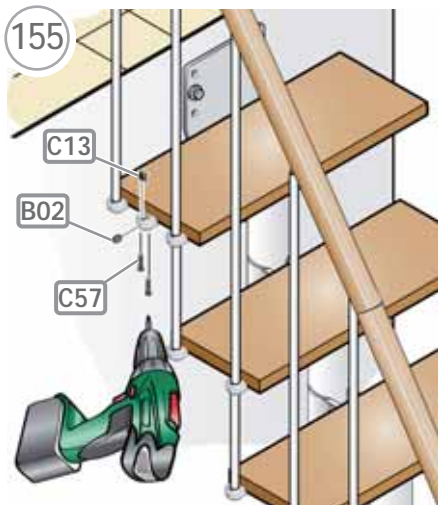




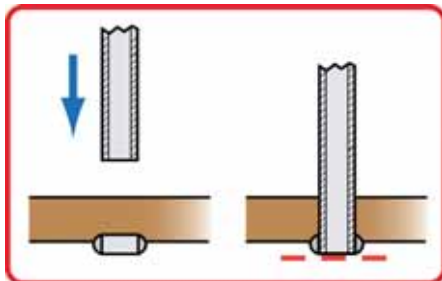
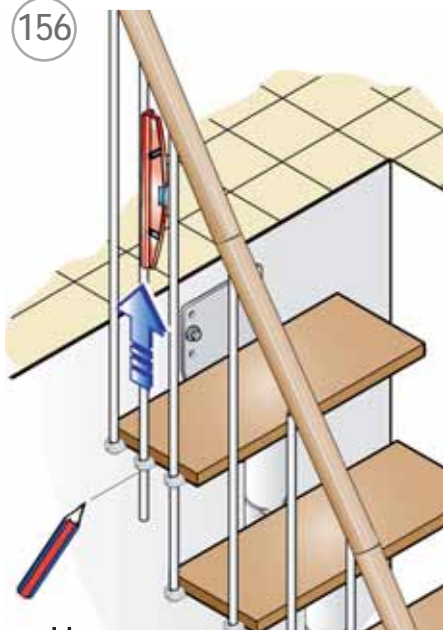
154



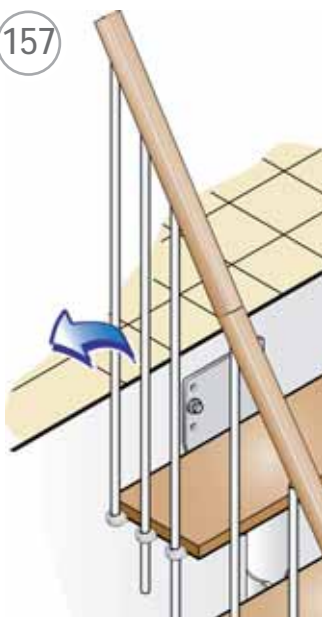
155



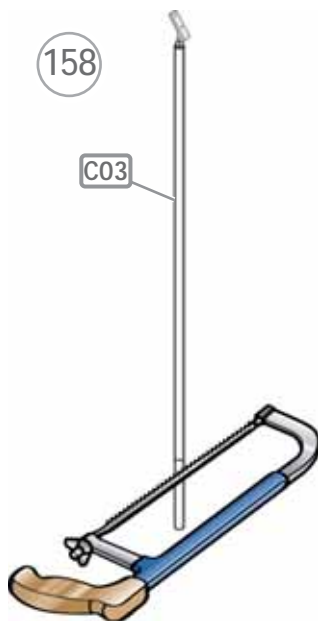
156



157



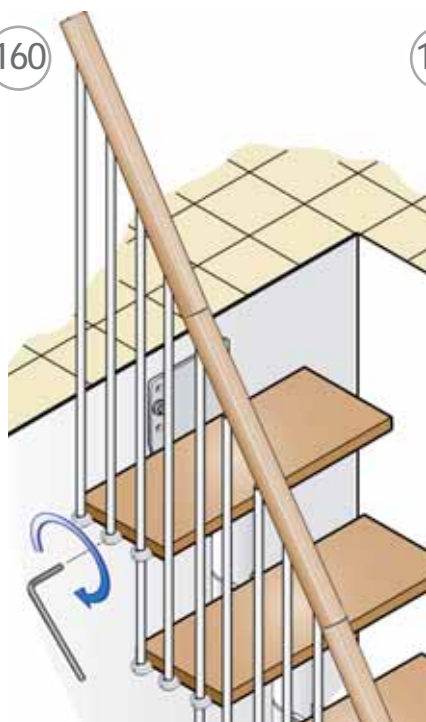
158



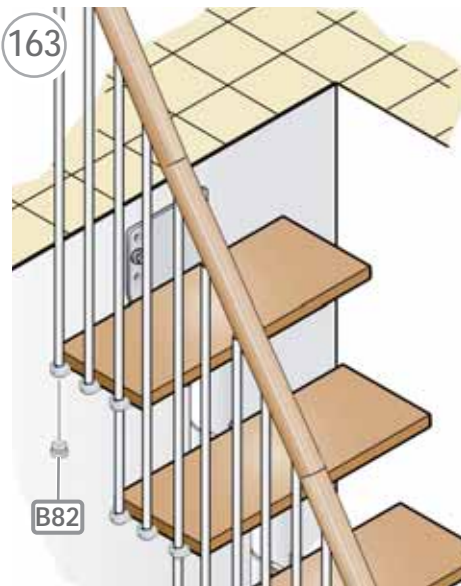
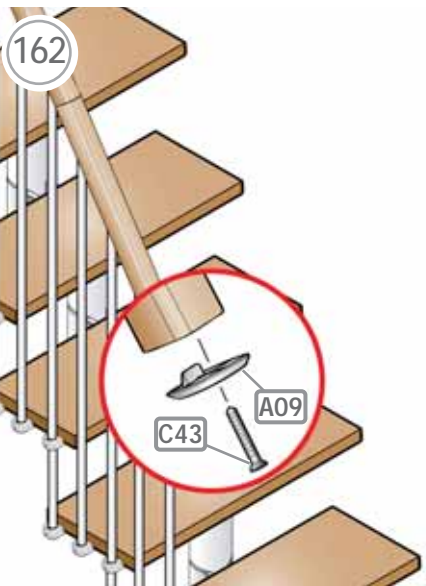
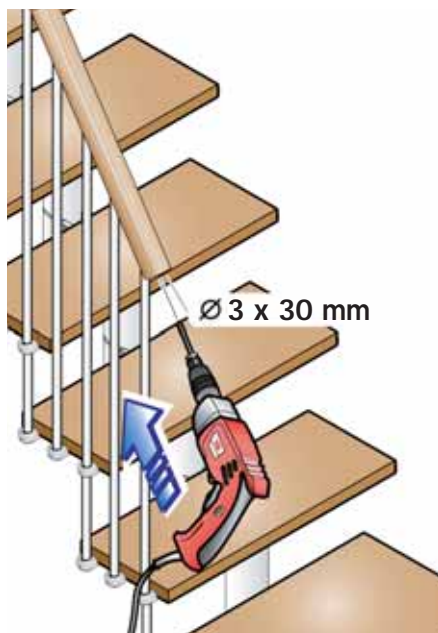
159

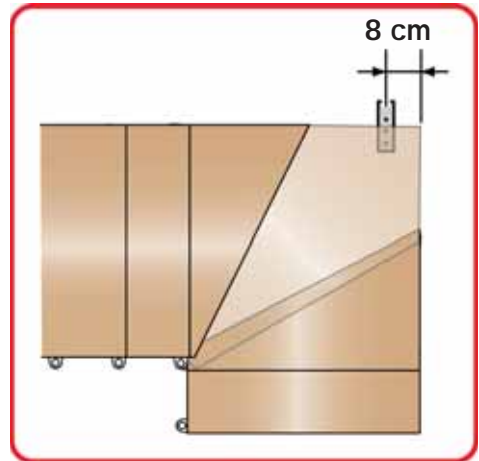
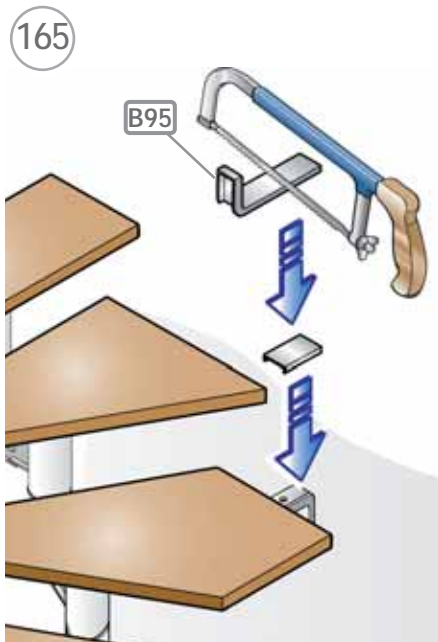
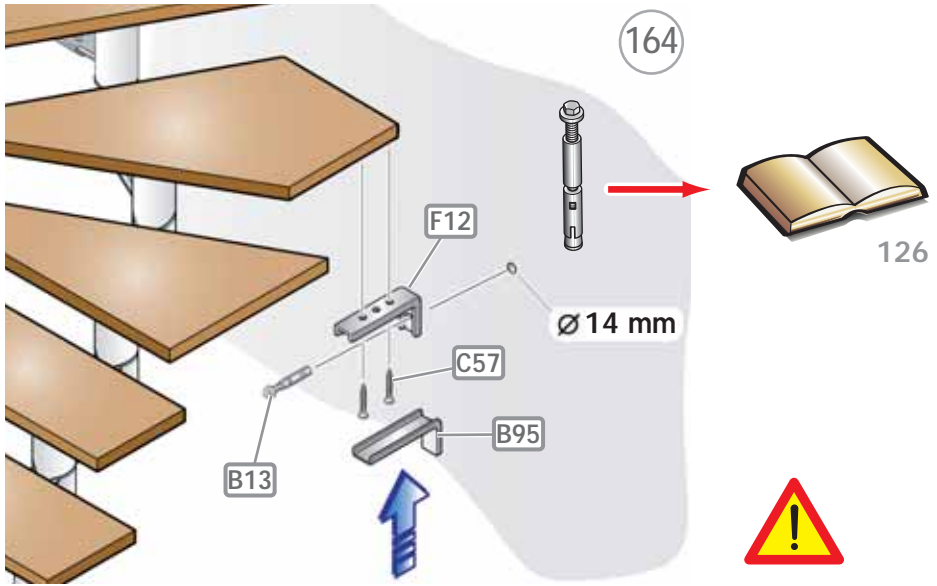


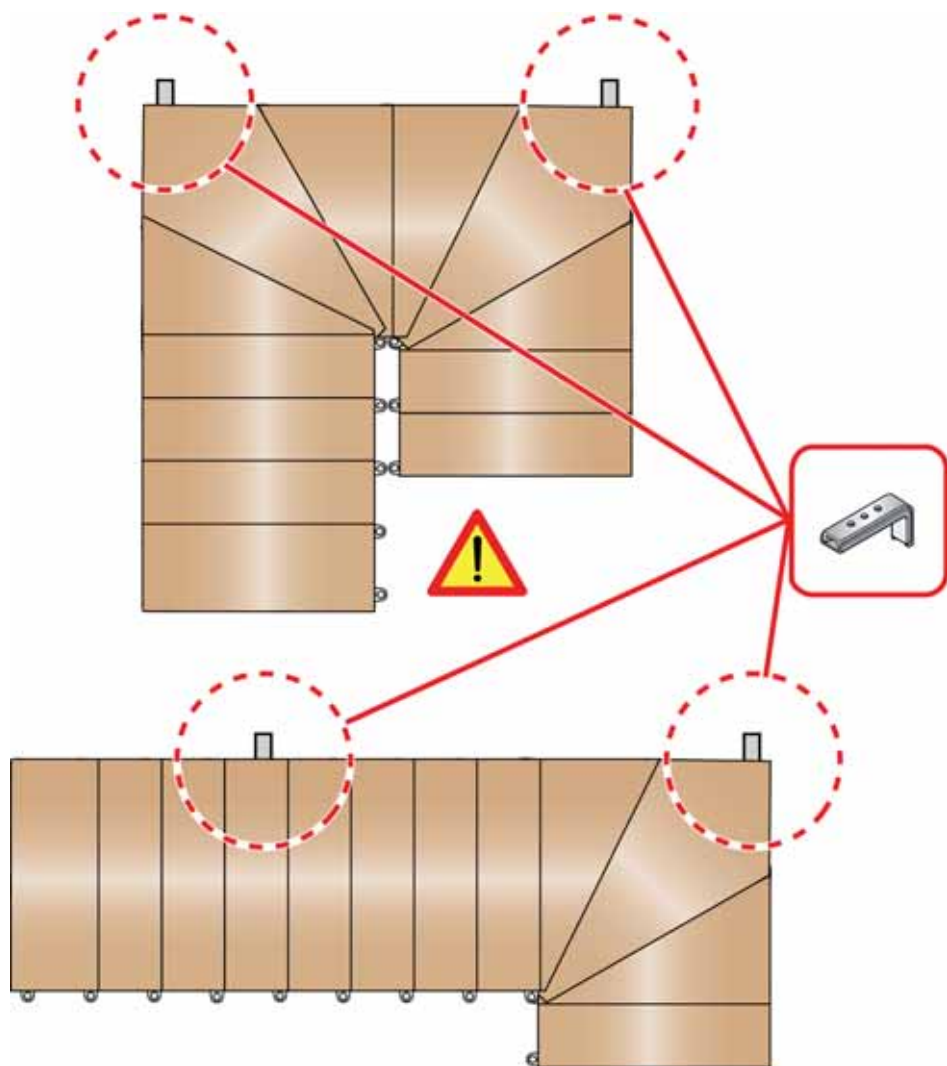
160



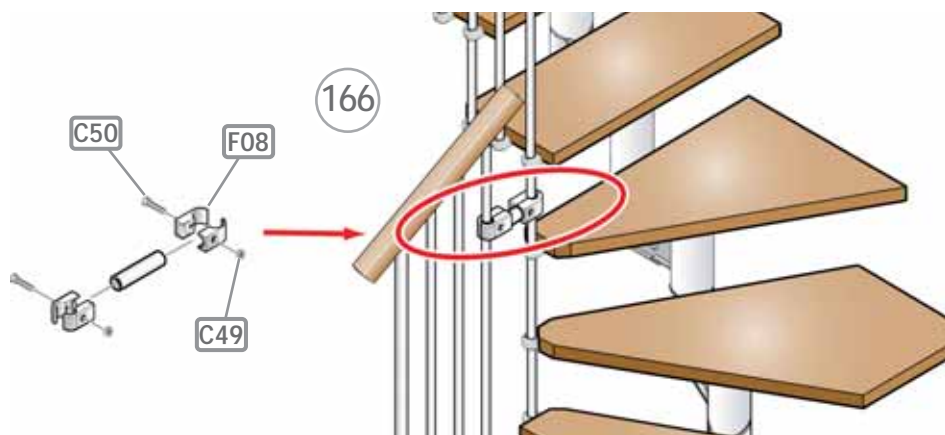
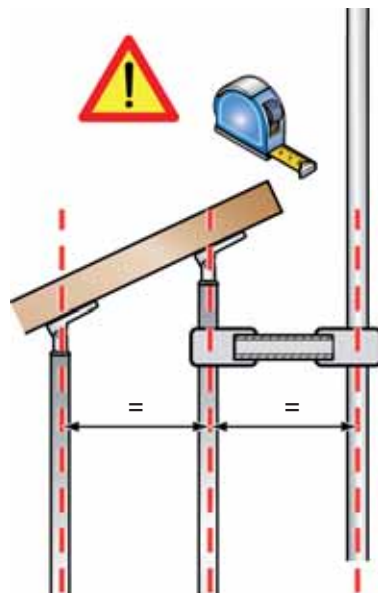
161



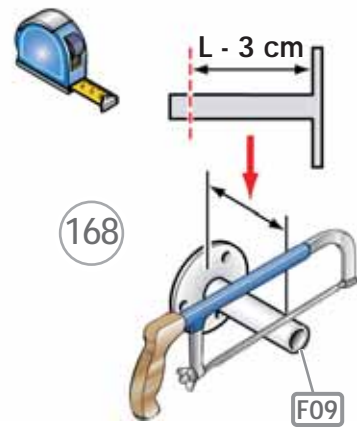
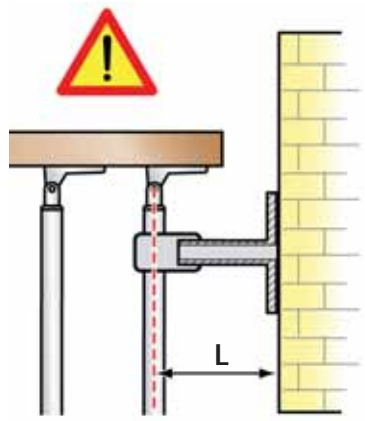
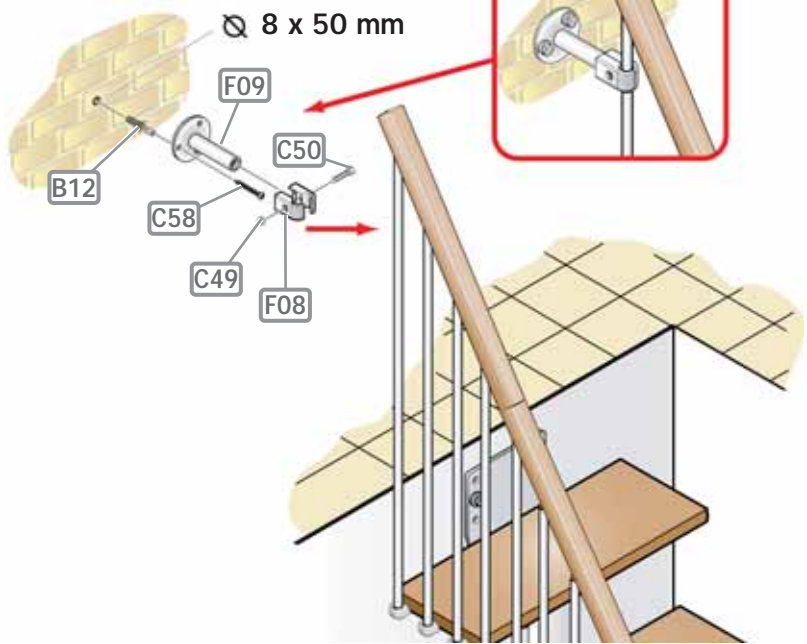


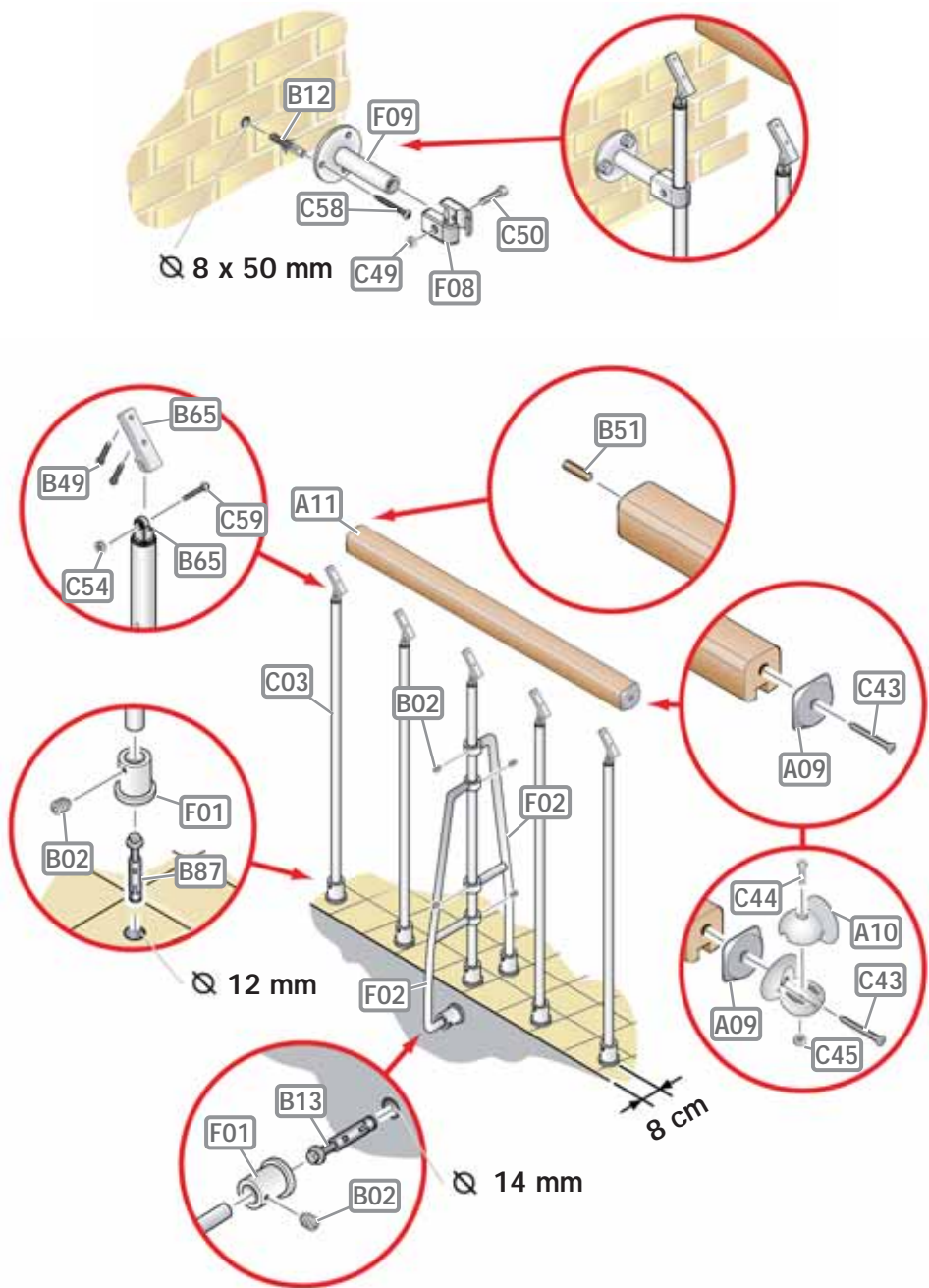









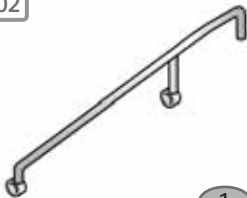




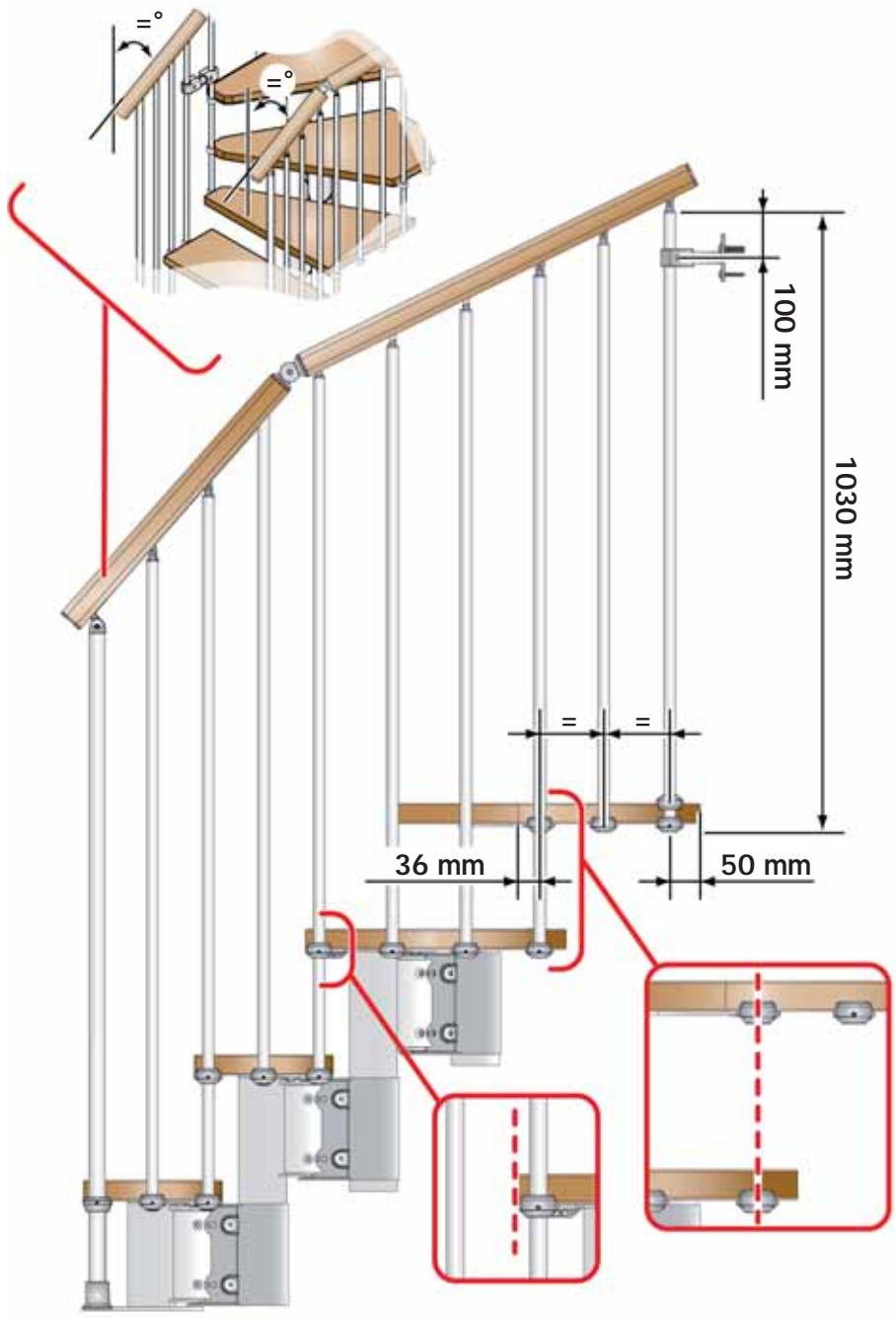
167




















<p>A09</p>  <p>7</p>	<p>A10</p>  <p>6</p>	<p>A11</p>  <p>1</p>
<p>B02</p>  <p>13</p>	<p>B12</p>  <p>3</p>	<p>B13</p>  <p>1</p>
<p>B49</p>  <p>24</p>	<p>B51</p>  <p>1</p>	<p>B65</p>  <p>10</p>
<p>B87</p>  <p>10</p>	<p>C03</p>  <p>10</p>	<p>C43</p>  <p>7</p>
<p>C44</p>  <p>3</p>	<p>C45</p>  <p>3</p>	<p>C49</p>  <p>3</p>








<p>C50</p>  <p>3</p>	<p>C54</p>  <p>10</p>	<p>C58</p>  <p>3</p>
<p>C59</p>  <p>10</p>	<p>F01</p>  <p>11</p>	<p>F02</p>  <p>1</p>
<p>F08</p>  <p>6</p>	<p>F09</p>  <p>2</p>	

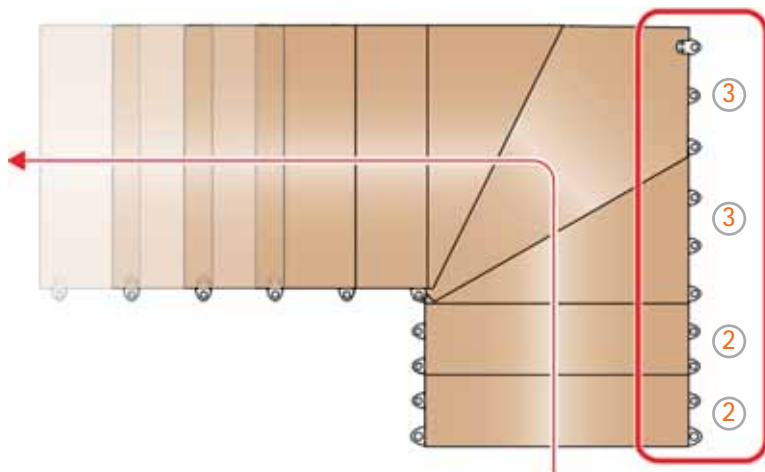




<p>A09</p>  <p>4</p>	<p>A10</p>  <p>2</p>	<p>A11</p>  <p>1</p>
<p>B02</p>  <p>7</p>	<p>B12</p>  <p>3</p>	<p>B51</p>  <p>1</p>
<p>B65</p>  <p>5</p>	<p>B82</p>  <p>5</p>	<p>C03 H = 1190 mm</p>  <p>5</p>
<p>C13</p>  <p>7</p>	<p>C43</p>  <p>4</p>	<p>C44</p>  <p>1</p>
<p>C45</p>  <p>1</p>	<p>C49</p>  <p>1</p>	<p>C50</p>  <p>1</p>



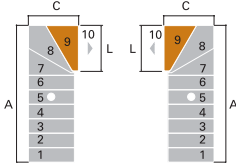
<p>C54</p>  <p>5</p>	<p>C57</p>  <p>14</p>	<p>C58</p>  <p>3</p>
<p>C59</p>  <p>5</p>	<p>F08</p>  <p>2</p>	<p>F09</p>  <p>1</p>
<p>F23</p>  <p>7</p>		



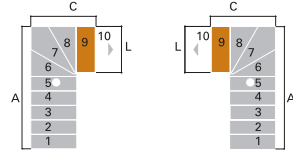
L (cm)	A (cm)	C (cm)
00	000-000-000	00

G1 G2 G3

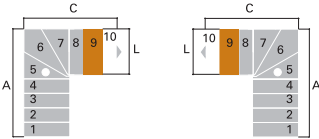
10



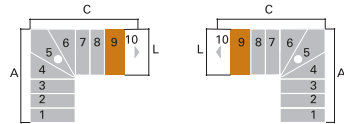
L (cm)	A (cm)	C (cm)
64	164-171-179	68



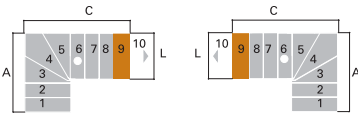
L (cm)	A (cm)	C (cm)
64	148-154-161	85



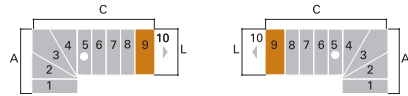
L (cm)	A (cm)	C (cm)
64	132-137-142	101-103-104



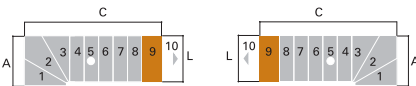
L (cm)	A (cm)	C (cm)
64	116-120-124	117-120-122



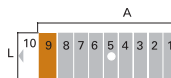
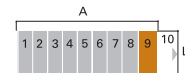
L (cm)	A (cm)	C (cm)
64	100-102-105	133-137-141



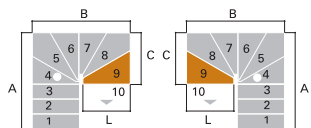
L (cm)	A (cm)	C (cm)
64	84-85-87	149-154-159



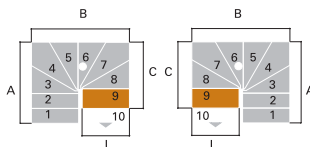
L (cm)	A (cm)	C (cm)
64	68	165-171-178



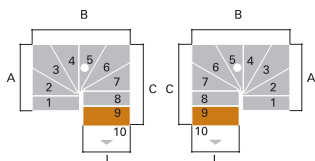
L (cm)	A (cm)
64	152-162-172



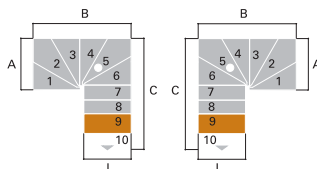
L (cm)	A (cm)	B (cm)	C (cm)
64	161-120-124	129	68



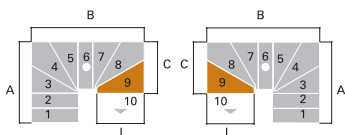
L (cm)	A (cm)	B (cm)	C (cm)
64	100-102-105	129	85



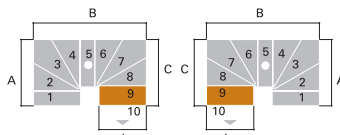
L (cm)	A (cm)	B (cm)	C (cm)
64	84-85-87	129	102-103-104



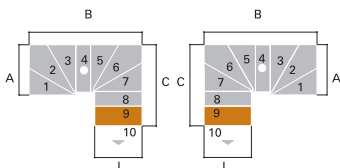
L (cm)	A (cm)	B (cm)	C (cm)
64	68	129	117-119-122



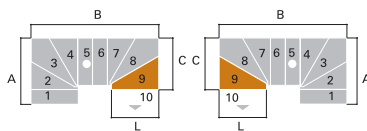
L (cm)	A (cm)	B (cm)	C (cm)
64	100-102-105	145-146-148	68



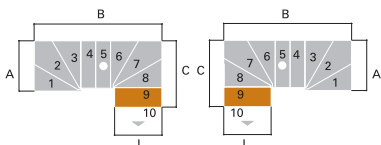
L (cm)	A (cm)	B (cm)	C (cm)
64	84-85-87	145-146-148	85



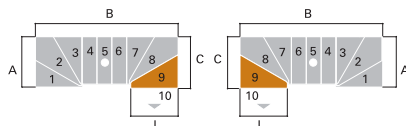
L (cm)	A (cm)	B (cm)	C (cm)
64	68	145-146-148	101-102-104



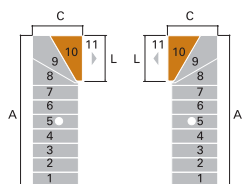
L (cm)	A (cm)	B (cm)	C (cm)
64	84-85-87	161-163-166	68



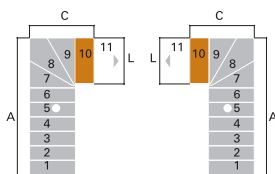
L (cm)	A (cm)	B (cm)	C (cm)
64	68	161-163-166	85



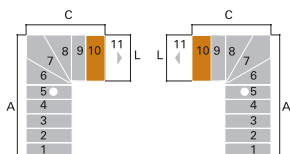
L (cm)	A (cm)	B (cm)	C (cm)
64	68	177-181-185	68



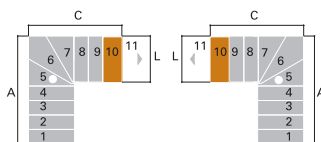
L (cm)	A (cm)	C (cm)
64	180-188-198	68



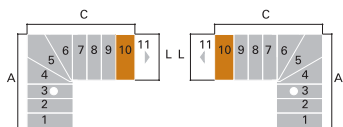
L (cm)	A (cm)	C (cm)
64	164-171-179	85



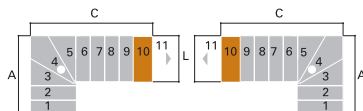
L (cm)	A (cm)	C (cm)
64	148-154-161	101-102-104



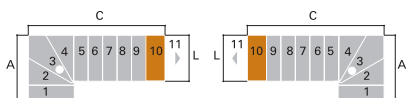
L (cm)	A (cm)	C (cm)
64	132-137-142	117-119-122



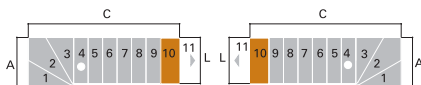
L (cm)	A (cm)	C (cm)
64	116-120-124	133-137-141



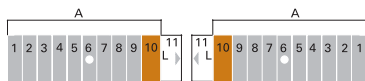
L (cm)	A (cm)	C (cm)
64	100-102-105	149-154-159



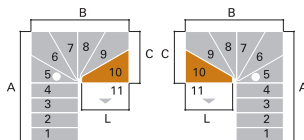
L (cm)	A (cm)	C (cm)
64	84-85-87	165-171-178



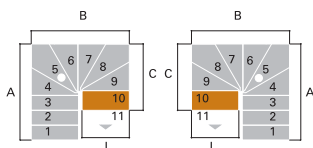
L (cm)	A (cm)	C (cm)
64	68	181-188-196



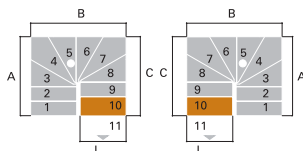
L (cm)	A (cm)
64	168-179-191



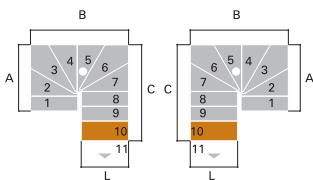
L (cm)	A (cm)	B (cm)	C (cm)
64	132-137-142	129	68



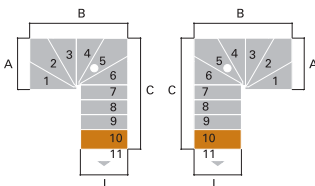
L (cm)	A (cm)	B (cm)	C (cm)
64	116-120-124	129	85



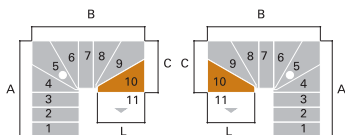
L (cm)	A (cm)	B (cm)	C (cm)
64	100-102-105	129	101-102-104



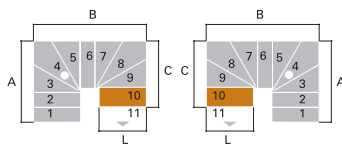
L (cm)	A (cm)	B (cm)	C (cm)
64	84-85-87	129	117-119-122



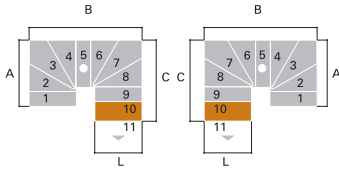
L (cm)	A (cm)	B (cm)	C (cm)
64	68	129	133-137-141



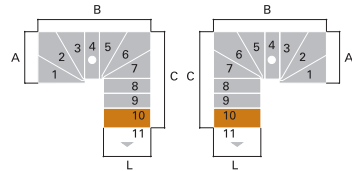
L (cm)	A (cm)	B (cm)	C (cm)
64	116-120-124	145-146-148	68



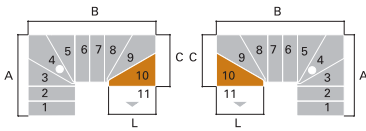
L (cm)	A (cm)	B (cm)	C (cm)
64	100-102-105	145-146-148	85



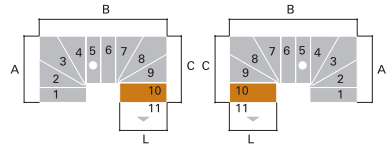
L (cm)	A (cm)	B (cm)	C (cm)
64	84-85-87	145-146-148	101-102-104



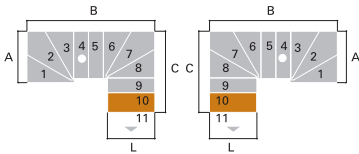
L (cm)	A (cm)	B (cm)	C (cm)
64	68	145-146-148	133-137-141



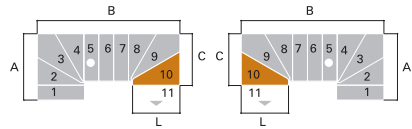
L (cm)	A (cm)	B (cm)	C (cm)
64	100-102-105	161-163-166	68



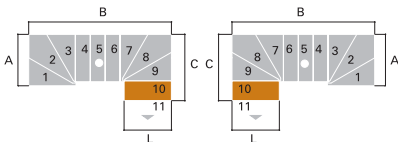
L (cm)	A (cm)	B (cm)	C (cm)
64	84-85-87	161-163-166	85



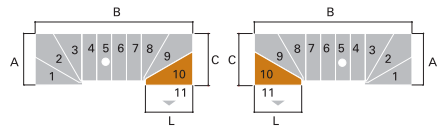
L (cm)	A (cm)	B (cm)	C (cm)
64	68	161-163-166	101-102-104



L (cm)	A (cm)	B (cm)	C (cm)
64	84-85-87	177-181-185	68

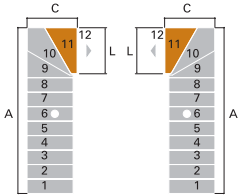


L (cm)	A (cm)	B (cm)	C (cm)
64	68	177-181-185	85

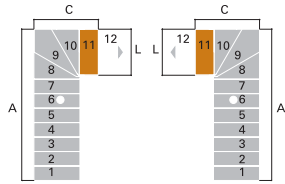


L (cm)	A (cm)	B (cm)	C (cm)
64	68	193-198-203	68

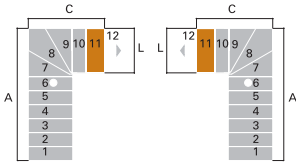
# 12



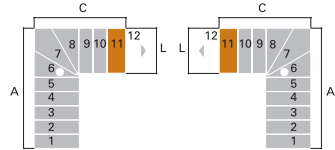
L (cm)	A (cm)	C (cm)
64	196-206-216	68



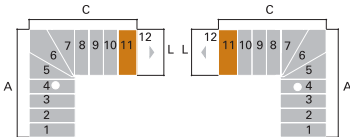
L (cm)	A (cm)	C (cm)
64	180-188-198	85



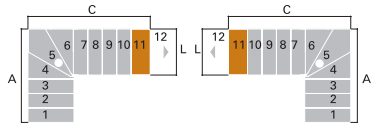
L (cm)	A (cm)	C (cm)
64	164-171-179	101-102-104



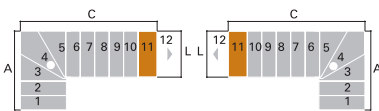
L (cm)	A (cm)	C (cm)
64	148-154-161	117-119-122



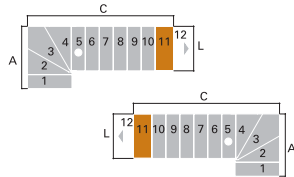
L (cm)	A (cm)	C (cm)
64	132-137-142	133-137-141



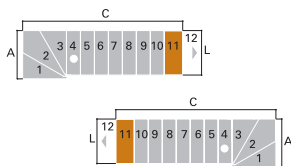
L (cm)	A (cm)	C (cm)
64	116-120-124	149-154-159



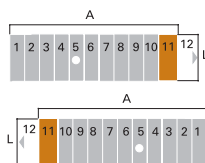
L (cm)	A (cm)	C (cm)
64	100-102-105	165-171-178



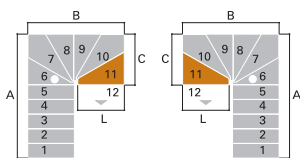
L (cm)	A (cm)	C (cm)
64	84-85-87	181-188-196



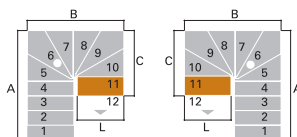
L (cm)	A (cm)	C (cm)
64	68	197-205-215



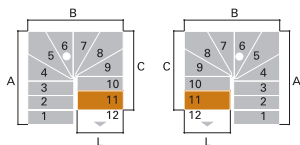
L (cm)	A (cm)
64	184-196-209



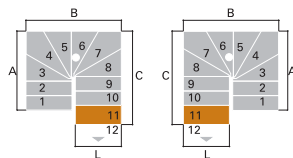
L (cm)	A (cm)	B (cm)	C (cm)
64	148-154-161	129	68



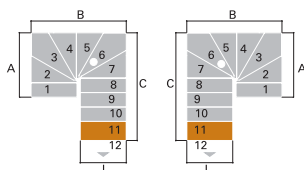
L (cm)	A (cm)	B (cm)	C (cm)
64	132-137-142	129	85



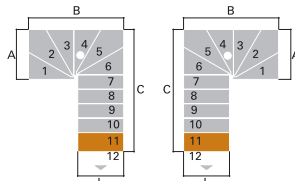
L (cm)	A (cm)	B (cm)	C (cm)
64	116-120-124	129	101-102-104



L (cm)	A (cm)	B (cm)	C (cm)
64	100-102-105	129	117-119-122

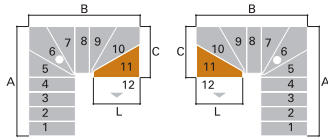


L (cm)	A (cm)	B (cm)	C (cm)
64	84-85-87	129	133-137-141

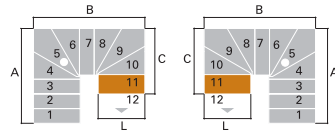


L (cm)	A (cm)	B (cm)	C (cm)
64	68	129	149-154-159

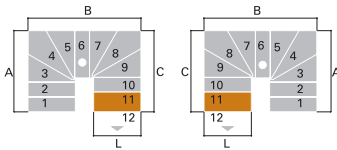




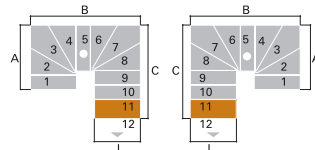
L (cm)	A (cm)	B (cm)	C (cm)
64	132-137-142	145-146-148	68



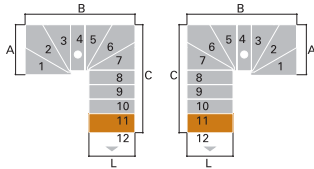
L (cm)	A (cm)	B (cm)	C (cm)
64	116-120-124	145-146-148	85



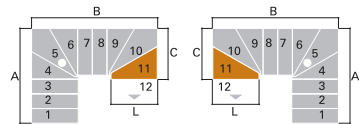
L (cm)	A (cm)	B (cm)	C (cm)
64	100-102-105	145-146-148	101-102-104



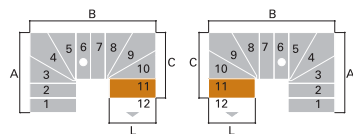
L (cm)	A (cm)	B (cm)	C (cm)
64	84-85-87	145-146-148	117-119-122



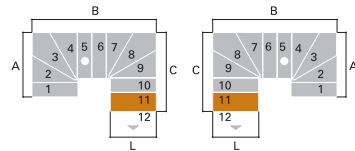
L (cm)	A (cm)	B (cm)	C (cm)
64	68	145-146-148	133-137-141



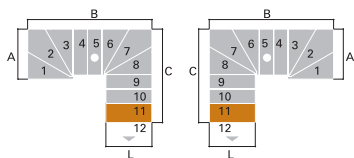
L (cm)	A (cm)	B (cm)	C (cm)
64	116-120-124	161-163-166	68



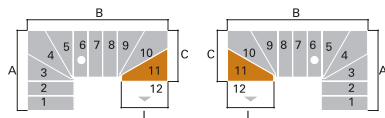
L (cm)	A (cm)	B (cm)	C (cm)
64	100-102-105	161-163-166	85



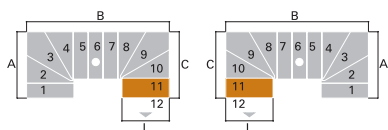
L (cm)	A (cm)	B (cm)	C (cm)
64	84-85-87	161-163-166	101-102-104



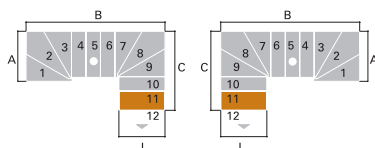
L (cm)	A (cm)	B (cm)	C (cm)
64	68	161-163-166	117-119-122



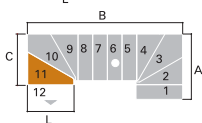
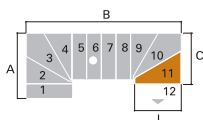
L (cm)	A (cm)	B (cm)	C (cm)
64	100-102-105	177-181-185	68



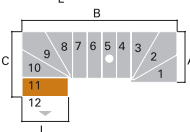
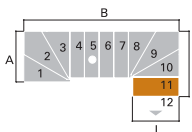
L (cm)	A (cm)	B (cm)	C (cm)
64	84-85-87	177-181-185	85



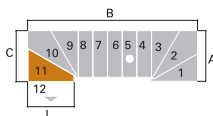
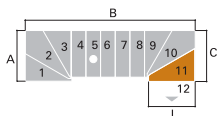
L (cm)	A (cm)	B (cm)	C (cm)
64	68	177-181-185	101-102-104



L (cm)	A (cm)	B (cm)	C (cm)
64	84-85-87	193-198-203	68

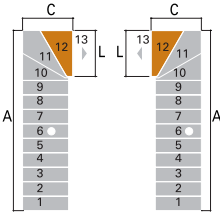


L (cm)	A (cm)	B (cm)	C (cm)
64	68	193-198-203	85

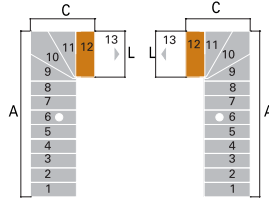


L (cm)	A (cm)	B (cm)	C (cm)
64	68	209-215-222	68

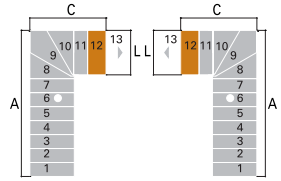
# 13



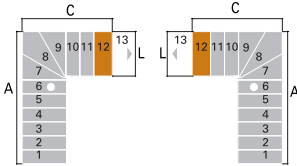
L (cm)	A (cm)	C (cm)
64	212-223-235	68



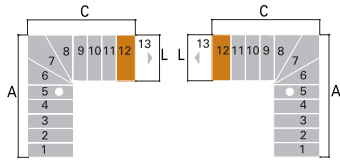
L (cm)	A (cm)	C (cm)
64	196-206-216	85



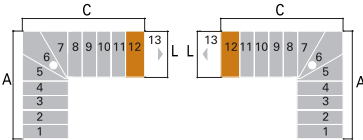
L (cm)	A (cm)	C (cm)
64	180-188-198	101-102-104



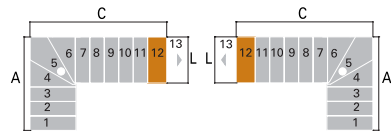
L (cm)	A (cm)	C (cm)
64	164-171-179	117-119-122



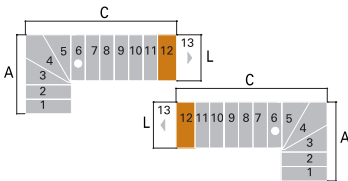
L (cm)	A (cm)	C (cm)
64	148-154-161	133-137-141



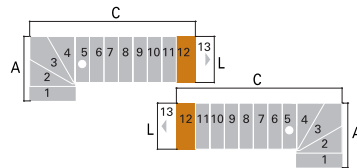
L (cm)	A (cm)	C (cm)
64	132-137-142	149-154-159



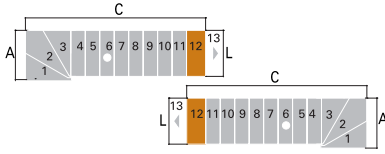
L (cm)	A (cm)	C (cm)
64	116-120-124	165-171-178



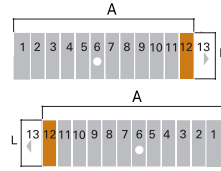
L (cm)	A (cm)	C (cm)
64	100-102-105	181-188-196



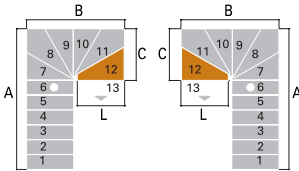
L (cm)	A (cm)	C (cm)
64	84-85-87	197-205-215



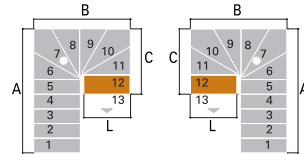
L (cm)	A (cm)	C (cm)
64	68	213-223-233



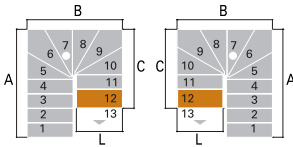
L (cm)	A (cm)
64	200-213-228



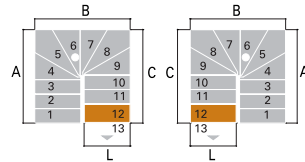
L (cm)	A (cm)	B (cm)	C (cm)
64	164-171-179	129	68



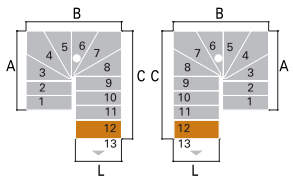
L (cm)	A (cm)	B (cm)	C (cm)
64	148-154-161	129	85



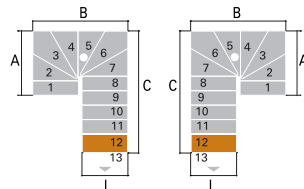
L (cm)	A (cm)	B (cm)	C (cm)
64	132-137-142	129	101-102-104



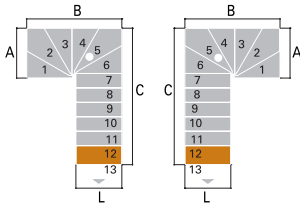
L (cm)	A (cm)	B (cm)	C (cm)
64	116-120-124	129	117-119-122



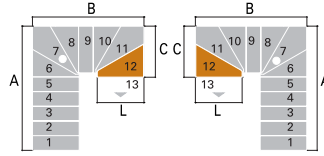
L (cm)	A (cm)	B (cm)	C (cm)
64	100-102-105	129	133-137-141



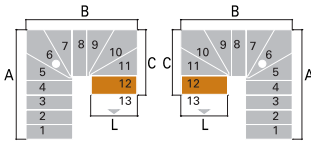
L (cm)	A (cm)	B (cm)	C (cm)
64	84-85-87	129	149-154-159



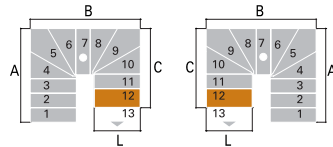
L (cm)	A (cm)	B (cm)	C (cm)
64	68	129	165-171-178



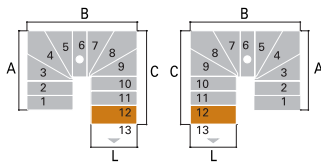
L (cm)	A (cm)	B (cm)	C (cm)
64	148-154-161	145-146-148	68



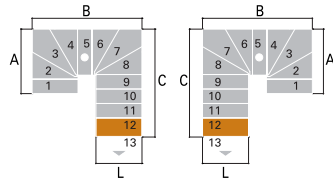
L (cm)	A (cm)	B (cm)	C (cm)
64	132-137-142	145-146-148	85



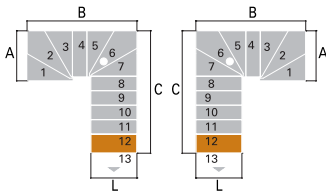
L (cm)	A (cm)	B (cm)	C (cm)
64	116-120-124	145-146-148	101-102-104



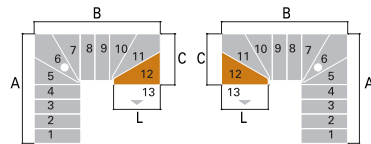
L (cm)	A (cm)	B (cm)	C (cm)
64	100-102-105	145-146-148	117-119-122



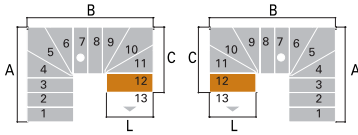
L (cm)	A (cm)	B (cm)	C (cm)
64	84-85-87	145-146-148	133-137-141



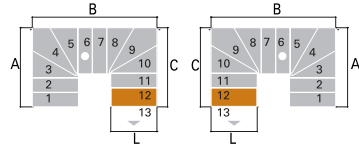
L (cm)	A (cm)	B (cm)	C (cm)
64	68	145-146-148	149-154-166



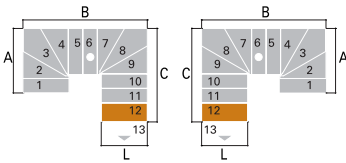
L (cm)	A (cm)	B (cm)	C (cm)
64	132-137-142	161-163-166	68



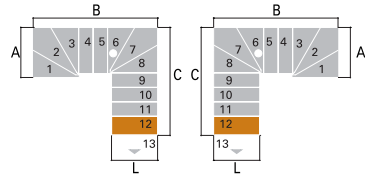
L (cm)	A (cm)	B (cm)	C (cm)
64	116-120-124	161-163-166	85



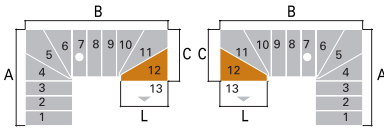
L (cm)	A (cm)	B (cm)	C (cm)
64	100-102-105	161-163-166	101-102-104



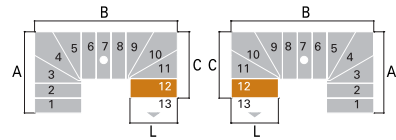
L (cm)	A (cm)	B (cm)	C (cm)
64	84-85-87	161-163-166	117-119-122



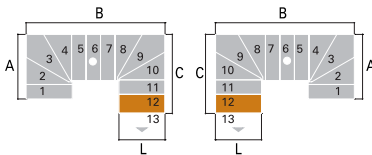
L (cm)	A (cm)	B (cm)	C (cm)
64	68	161-163-166	133-137-141



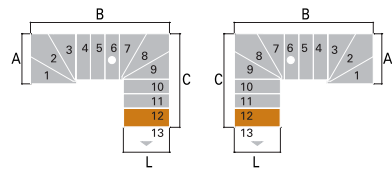
L (cm)	A (cm)	B (cm)	C (cm)
64	116-120-124	177-181-185	68



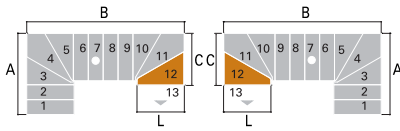
L (cm)	A (cm)	B (cm)	C (cm)
64	100-102-105	177-181-185	85



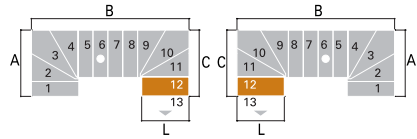
L (cm)	A (cm)	B (cm)	C (cm)
64	84-85-87	177-181-185	101-102-104



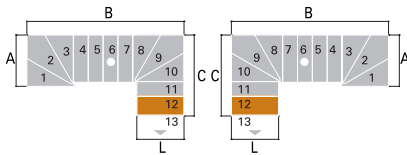
L (cm)	A (cm)	B (cm)	C (cm)
64	68	177-181-185	117-119-122



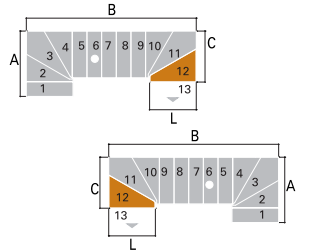
L (cm)	A (cm)	B (cm)	C (cm)
64	100-102-105	193-198-203	68



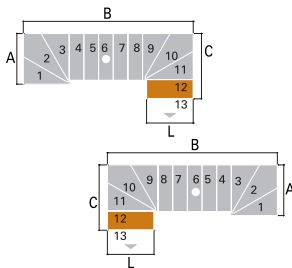
L (cm)	A (cm)	B (cm)	C (cm)
64	84-85-87	193-198-203	85



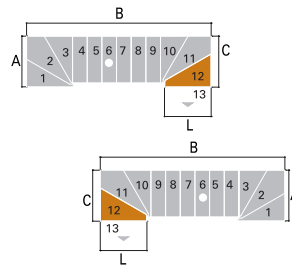
L (cm)	A (cm)	B (cm)	C (cm)
64	68	193-198-203	101-102-104



L (cm)	A (cm)	B (cm)	C (cm)
64	84-85-87	209-215-222	68

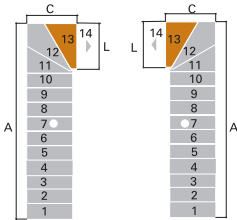


L (cm)	A (cm)	B (cm)	C (cm)
64	68	209-215-222	85

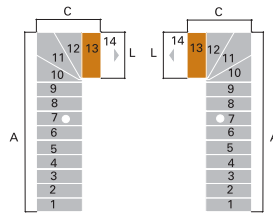


L (cm)	A (cm)	B (cm)	C (cm)
64	68	225-232-240	68

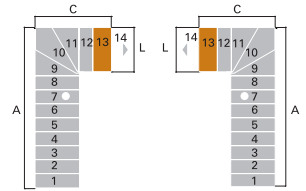
# 14



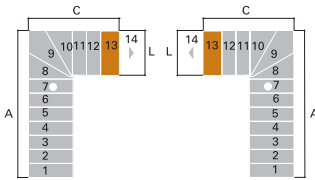
L (cm)	A (cm)	C (cm)
64	228-240-253	68



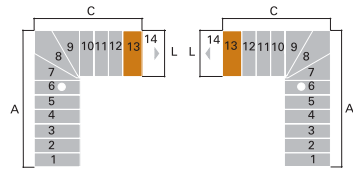
L (cm)	A (cm)	C (cm)
64	212-223-235	85



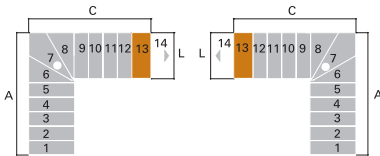
L (cm)	A (cm)	C (cm)
64	196-206-216	101-102-104



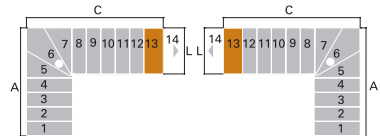
L (cm)	A (cm)	C (cm)
64	180-188-198	117-119-122



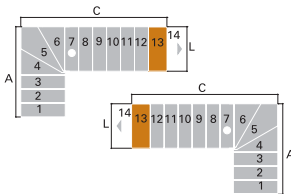
L (cm)	A (cm)	C (cm)
64	164-171-179	133-137-141



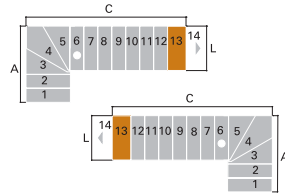
L (cm)	A (cm)	C (cm)
64	148-154-161	149-154-159



L (cm)	A (cm)	C (cm)
64	132-137-142	165-171-178

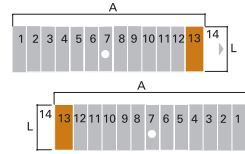
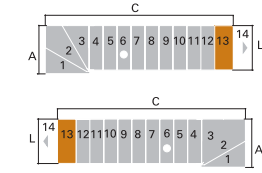
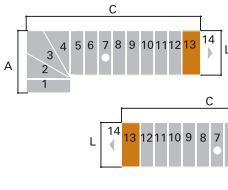


L (cm)	A (cm)	C (cm)
64	116-120-124	181-188-196



L (cm)	A (cm)	C (cm)
64	100-102-105	197-205-215

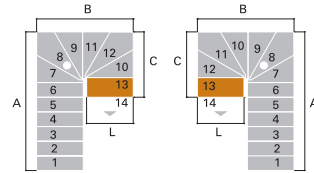
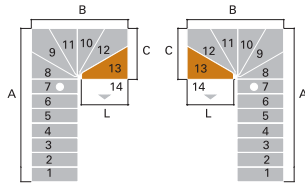




L (cm)	A (cm)	C (cm)
64	84-85-87	213-223-233

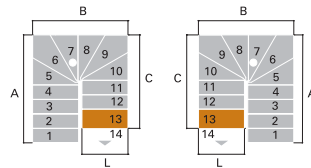
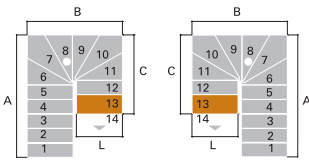
L (cm)	A (cm)	C (cm)
64	68	229-240-252

L (cm)	A (cm)
64	216-231-246



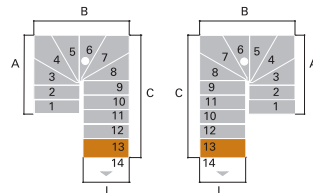
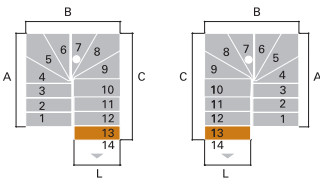
L (cm)	A (cm)	B (cm)	C (cm)
64	180-188-198	129	68

L (cm)	A (cm)	B (cm)	C (cm)
64	164-171-179	129	85



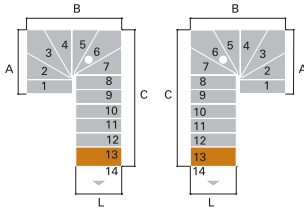
L (cm)	A (cm)	B (cm)	C (cm)
64	148-154-161	129	101-102-104

L (cm)	A (cm)	B (cm)	C (cm)
64	132-137-142	129	117-119-122

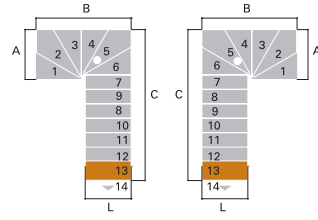


L (cm)	A (cm)	B (cm)	C (cm)
64	116-120-124	129	133-141-141

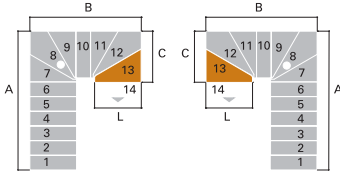
L (cm)	A (cm)	B (cm)	C (cm)
64	100-102-105	129	149-154-159



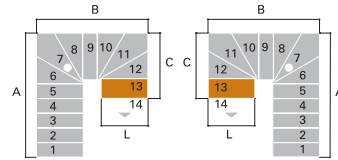
L (cm)	A (cm)	B (cm)	C (cm)
64	84-85-87	129	165-171-178



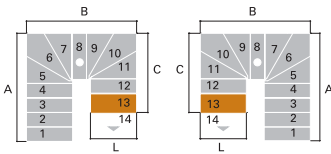
L (cm)	A (cm)	B (cm)	C (cm)
64	68	129	181-188-196



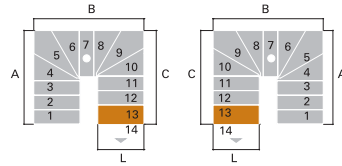
L (cm)	A (cm)	B (cm)	C (cm)
64	164-171-179	145-146-148	68



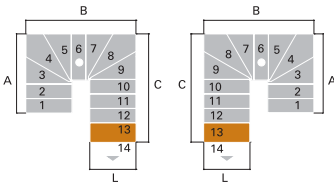
L (cm)	A (cm)	B (cm)	C (cm)
64	148-154-161	145-146-148	85



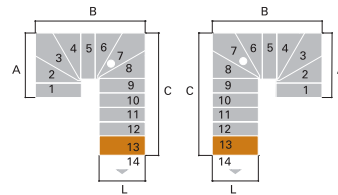
L (cm)	A (cm)	B (cm)	C (cm)
64	132-137-142	145-146-148	101-102-104



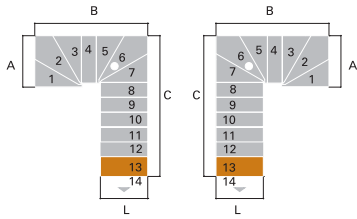
L (cm)	A (cm)	B (cm)	C (cm)
64	116-120-124	145-146-148	117-119-122



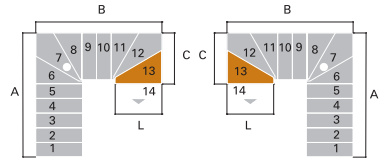
L (cm)	A (cm)	B (cm)	C (cm)
64	100-102-105	145-146-148	133-137-141



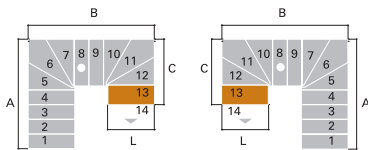
L (cm)	A (cm)	B (cm)	C (cm)
64	84-85-87	145-146-148	149-154-159



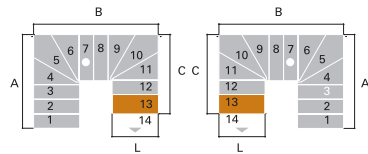
L (cm)	A (cm)	B (cm)	C (cm)
64	68	145-146-148	165-171-178



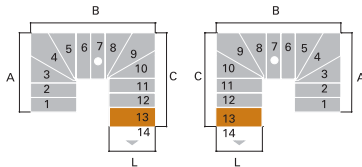
L (cm)	A (cm)	B (cm)	C (cm)
64	148-154-161	161-163-166	68



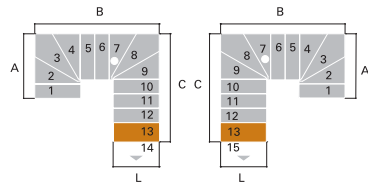
L (cm)	A (cm)	B (cm)	C (cm)
64	132-137-142	161-163-166	85



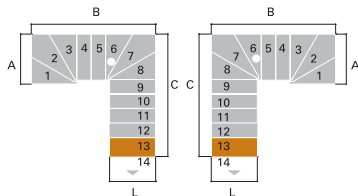
L (cm)	A (cm)	B (cm)	C (cm)
64	116-120-124	161-163-166	101-102-104



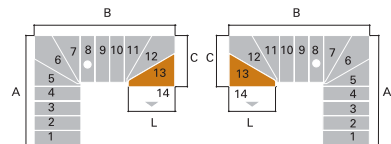
L (cm)	A (cm)	B (cm)	C (cm)
64	100-102-105	161-163-166	117-119-122



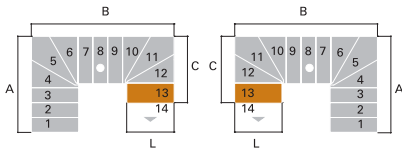
L (cm)	A (cm)	B (cm)	C (cm)
64	84-85-87	161-163-166	133-137-141



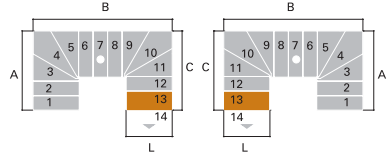
L (cm)	A (cm)	B (cm)	C (cm)
64	68	161-163-166	149-154-159



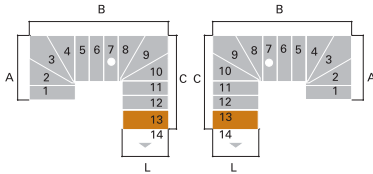
L (cm)	A (cm)	B (cm)	C (cm)
64	132-137-142	177-181-185	68



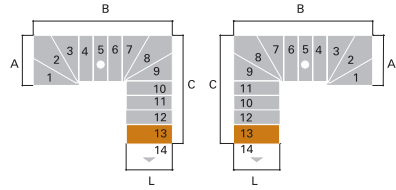
L (cm)	A (cm)	B (cm)	C (cm)
64	116-120-124	177-181-185	85



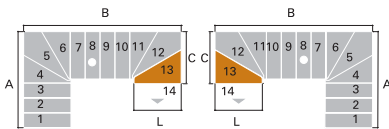
L (cm)	A (cm)	B (cm)	C (cm)
64	100-102-105	177-181-185	196-206-216



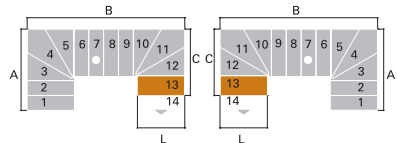
L (cm)	A (cm)	B (cm)	C (cm)
64	84-85-87	177-181-185	117-119-122



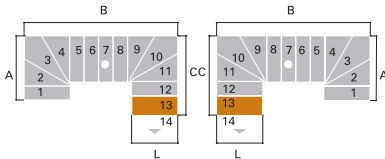
L (cm)	A (cm)	B (cm)	C (cm)
64	68	177-181-185	133-137-141



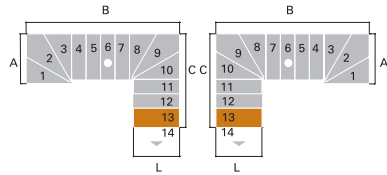
L (cm)	A (cm)	B (cm)	C (cm)
64	116-120-124	193-198-203	68



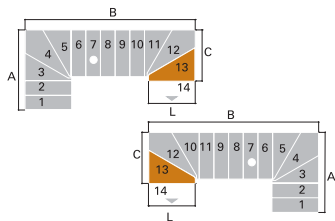
L (cm)	A (cm)	B (cm)	C (cm)
64	100-102-105	193-198-203	85



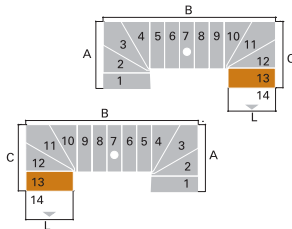
L (cm)	A (cm)	B (cm)	C (cm)
64	100-102-105	193-198-203	101-102-104



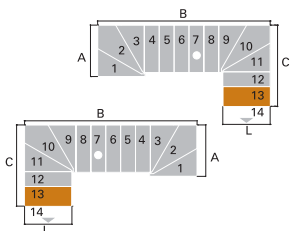
L (cm)	A (cm)	B (cm)	C (cm)
64	68	193-198-203	117-119-122



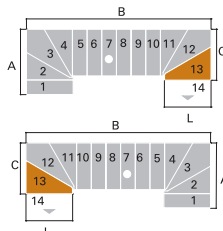
L (cm)	A (cm)	B (cm)	C (cm)
64	100-102-105	209-215-222	68



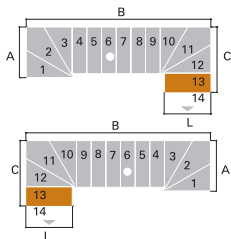
L (cm)	A (cm)	B (cm)	C (cm)
64	84-85-87	209-215-222	85



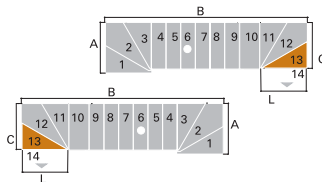
L (cm)	A (cm)	B (cm)	C (cm)
64	68	209-215-222	101-102-104



L (cm)	A (cm)	B (cm)	C (cm)
64	84-85-87	225-232-240	68

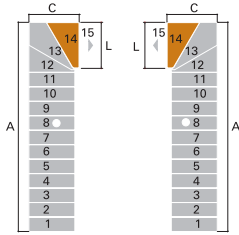


L (cm)	A (cm)	B (cm)	C (cm)
64	68	225-232-240	85

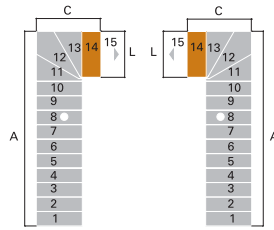


L (cm)	A (cm)	B (cm)	C (cm)
64	68	241-249-259	68

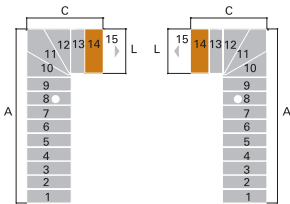
# 15



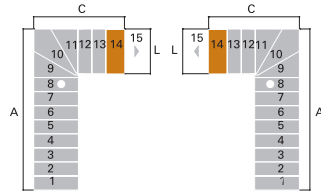
L (cm)	A (cm)	C (cm)
64	244-257-272	68



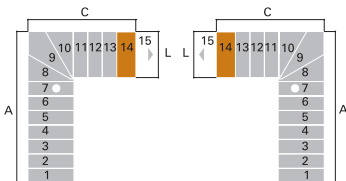
L (cm)	A (cm)	C (cm)
64	228-240-253	85



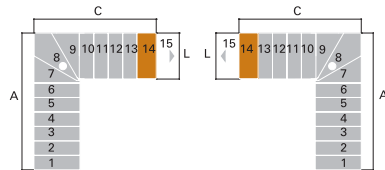
L (cm)	A (cm)	C (cm)
64	212-223-235	101-102-104



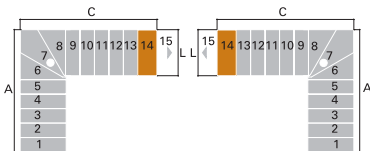
L (cm)	A (cm)	C (cm)
64	196-206-216	117-119-122



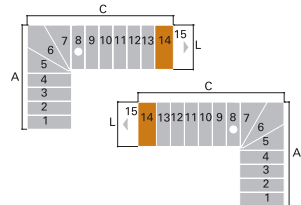
L (cm)	A (cm)	C (cm)
64	180-188-198	133-137-141



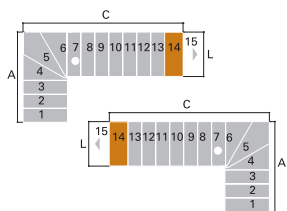
L (cm)	A (cm)	C (cm)
64	164-171-179	149-154-159



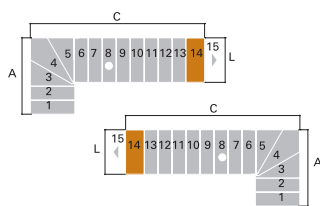
L (cm)	A (cm)	C (cm)
64	148-154-161	165-171-178



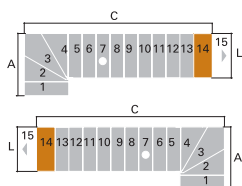
L (cm)	A (cm)	C (cm)
64	132-137-142	181-188-196



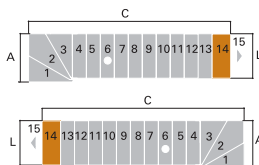
L (cm)	A (cm)	C (cm)
64	116-120-124	197-205-215



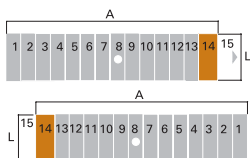
L (cm)	A (cm)	C (cm)
64	100-102-105	213-223-233



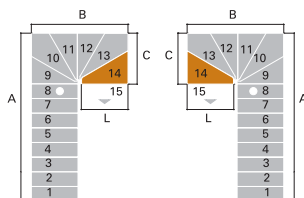
L (cm)	A (cm)	C (cm)
64	84-85-87	229-240-252



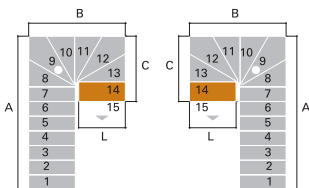
L (cm)	A (cm)	C (cm)
64	68	245-256-270



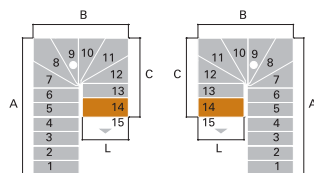
L (cm)	A (cm)
64	232-248-265



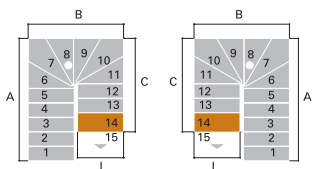
L (cm)	A (cm)	B (cm)	C (cm)
64	196-206-216	129	68



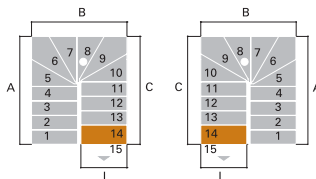
L (cm)	A (cm)	B (cm)	C (cm)
64	180-188-198	129	85



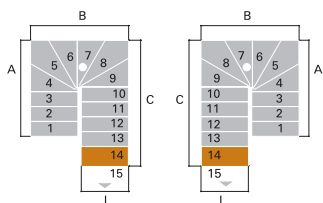
L (cm)	A (cm)	B (cm)	C (cm)
64	164-171-179	129	101-102-104



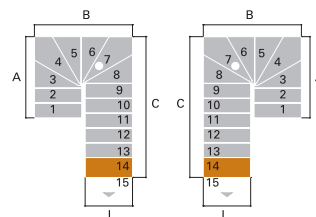
L (cm)	A (cm)	B (cm)	C (cm)
64	148-154-161	129	117-119-122



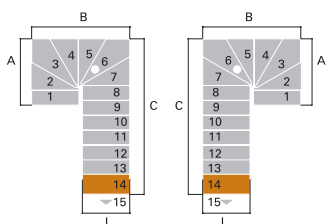
L (cm)	A (cm)	B (cm)	C (cm)
64	132-137-142	129	133-137-141



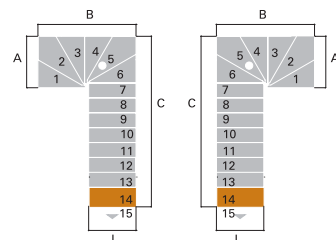
L (cm)	A (cm)	B (cm)	C (cm)
64	116-120-124	129	149-154-159



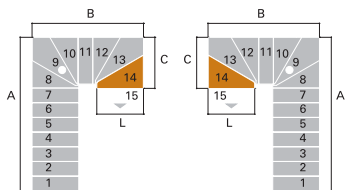
L (cm)	A (cm)	B (cm)	C (cm)
64	100-102-105	129	165-171-178



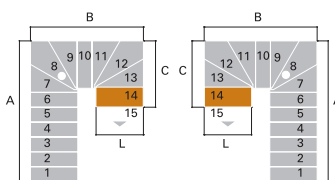
L (cm)	A (cm)	B (cm)	C (cm)
64	84-85-87	129	181-188-196



L (cm)	A (cm)	B (cm)	C (cm)
64	68	129	197-205-215

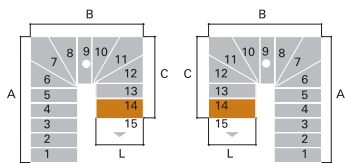


L (cm)	A (cm)	B (cm)	C (cm)
64	180-188-198	145-146-148	68

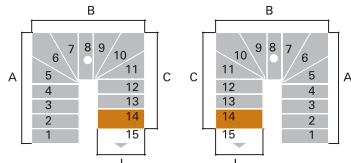


L (cm)	A (cm)	B (cm)	C (cm)
64	164-171-179	145-146-148	85

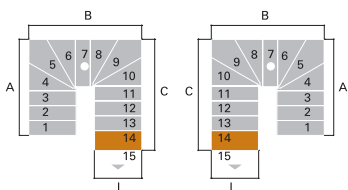




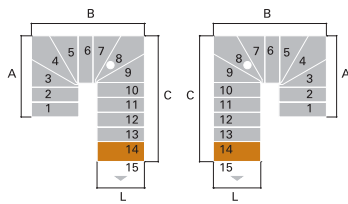
L (cm)	A (cm)	B (cm)	C (cm)
64	148-154-161	145-146-148	101-102-104



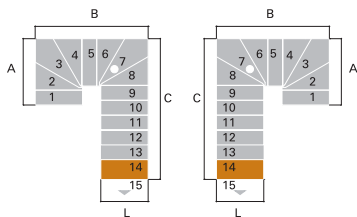
L (cm)	A (cm)	B (cm)	C (cm)
64	132-137-142	145-146-148	117-119-122



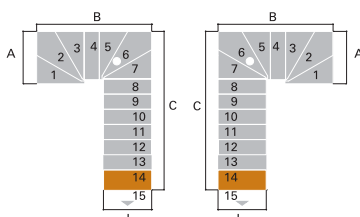
L (cm)	A (cm)	B (cm)	C (cm)
64	116-120-124	145-146-148	133-137-141



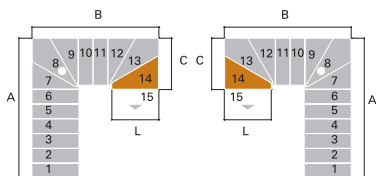
L (cm)	A (cm)	B (cm)	C (cm)
64	100-102-105	145-146-148	149-154-159



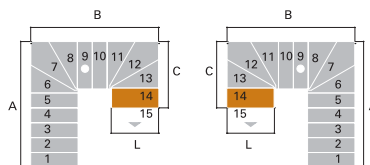
L (cm)	A (cm)	B (cm)	C (cm)
64	84-85-87	145-146-148	165-171-178



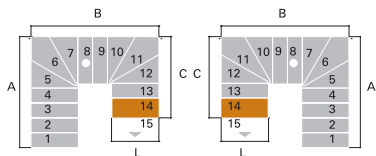
L (cm)	A (cm)	B (cm)	C (cm)
64	68	145-146-148	181-188-196



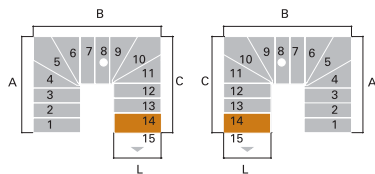
L (cm)	A (cm)	B (cm)	C (cm)
64	164-171-179	161-163-166	68



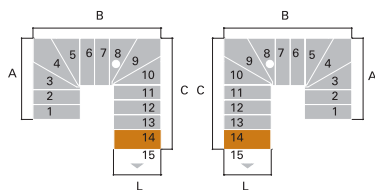
L (cm)	A (cm)	B (cm)	C (cm)
64	148-154-161	161-163-166	85



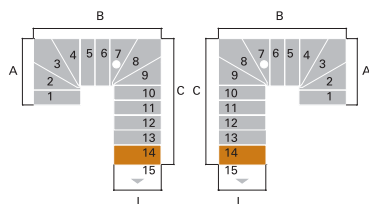
L (cm)	A (cm)	B (cm)	C (cm)
64	132-137-142	161-163-166	101-102-104



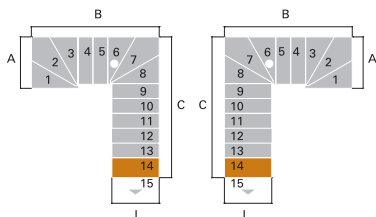
L (cm)	A (cm)	B (cm)	C (cm)
64	116-120-124	161-163-166	117-119-122



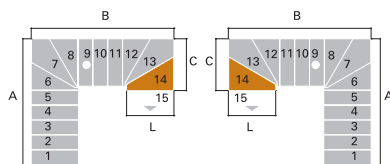
L (cm)	A (cm)	B (cm)	C (cm)
64	100-102-105	161-163-166	133-137-141



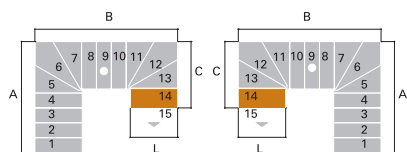
L (cm)	A (cm)	B (cm)	C (cm)
64	84-85-87	161-163-166	149-154-159



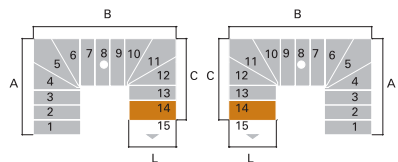
L (cm)	A (cm)	B (cm)	C (cm)
64	68	161-163-166	165-171-178



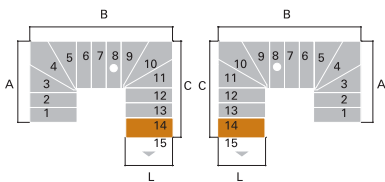
L (cm)	A (cm)	B (cm)	C (cm)
64	148-154-161	177-181-185	68



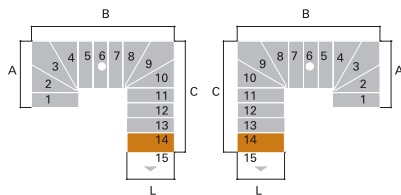
L (cm)	A (cm)	B (cm)	C (cm)
64	132-137-142	177-181-185	85



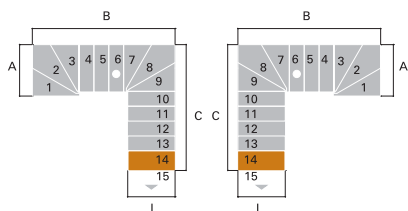
L (cm)	A (cm)	B (cm)	C (cm)
64	116-120-124	177-181-185	101-102-104



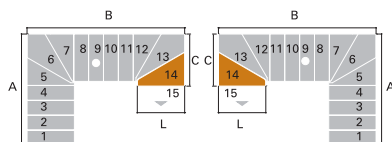
L (cm)	A (cm)	B (cm)	C (cm)
64	100-102-105	177-181-185	117-119-122



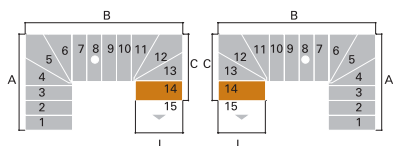
L (cm)	A (cm)	B (cm)	C (cm)
64	84-85-87	177-181-185	133-137-141



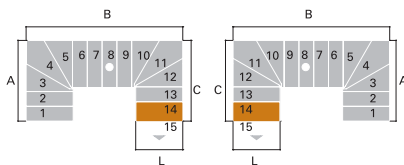
L (cm)	A (cm)	B (cm)	C (cm)
64	68	177-181-185	149-154-159



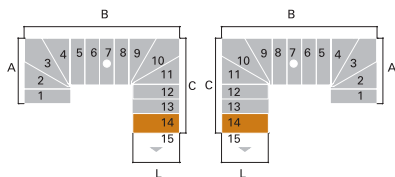
L (cm)	A (cm)	B (cm)	C (cm)
64	132-137-142	193-196-203	68



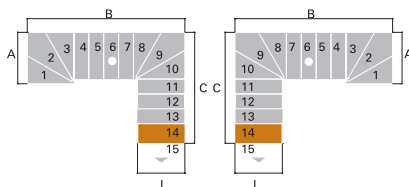
L (cm)	A (cm)	B (cm)	C (cm)
64	116-120-124	193-198-203	85



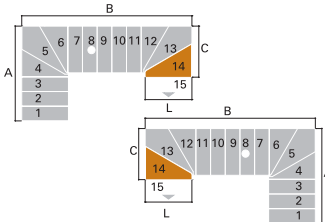
L (cm)	A (cm)	B (cm)	C (cm)
64	100-102-105	193-198-203	101-102-104



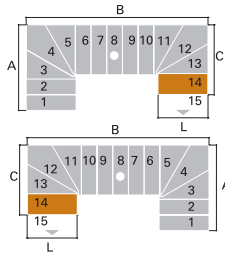
L (cm)	A (cm)	B (cm)	C (cm)
64	84-85-87	193-198-203	117-119-122



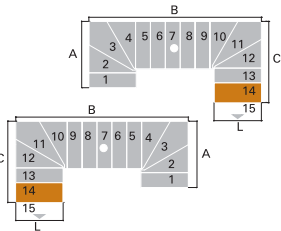
L (cm)	A (cm)	B (cm)	C (cm)
64	68	193-198-203	133-137-141



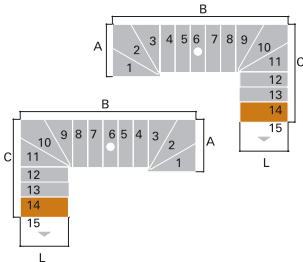
L (cm)	A (cm)	B (cm)	C (cm)
64	116-120-124	209-215-222	68



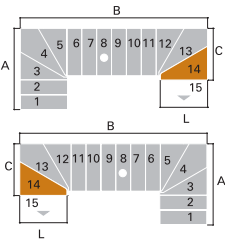
L (cm)	A (cm)	B (cm)	C (cm)
64	100-102-105	209-215-222	85



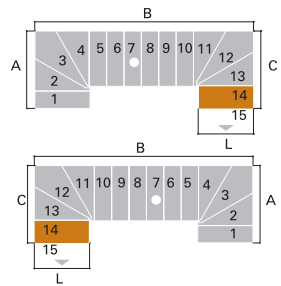
L (cm)	A (cm)	B (cm)	C (cm)
64	84-85-87	209-215-222	101-102-104



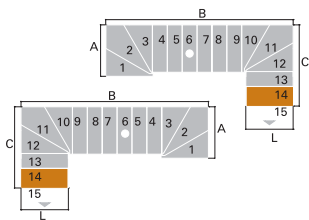
L (cm)	A (cm)	B (cm)	C (cm)
64	68	209-215-222	117-119-122



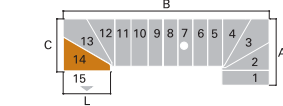
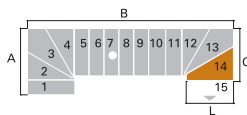
L (cm)	A (cm)	B (cm)	C (cm)
64	100-102-105	225-232-240	68



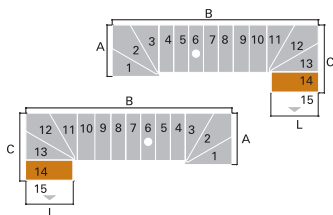
L (cm)	A (cm)	B (cm)	C (cm)
64	84-85-87	225-232-240	85



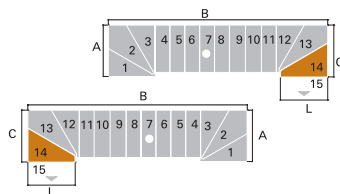
L (cm)	A (cm)	B (cm)	C (cm)
64	68	225-232-240	101-102-104



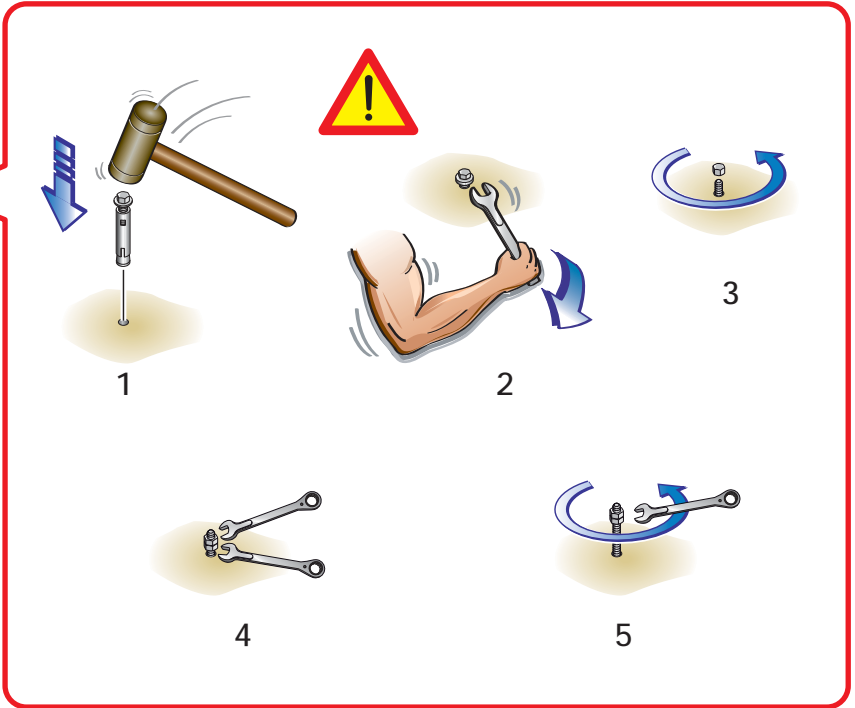
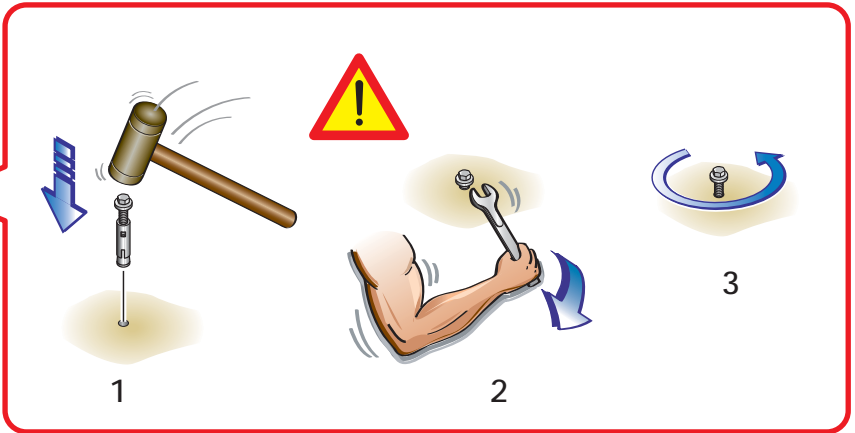
L (cm)	A (cm)	B (cm)	C (cm)
64	84-85-87	241-249-259	68



L (cm)	A (cm)	B (cm)	C (cm)
64	68	241-249-259	85



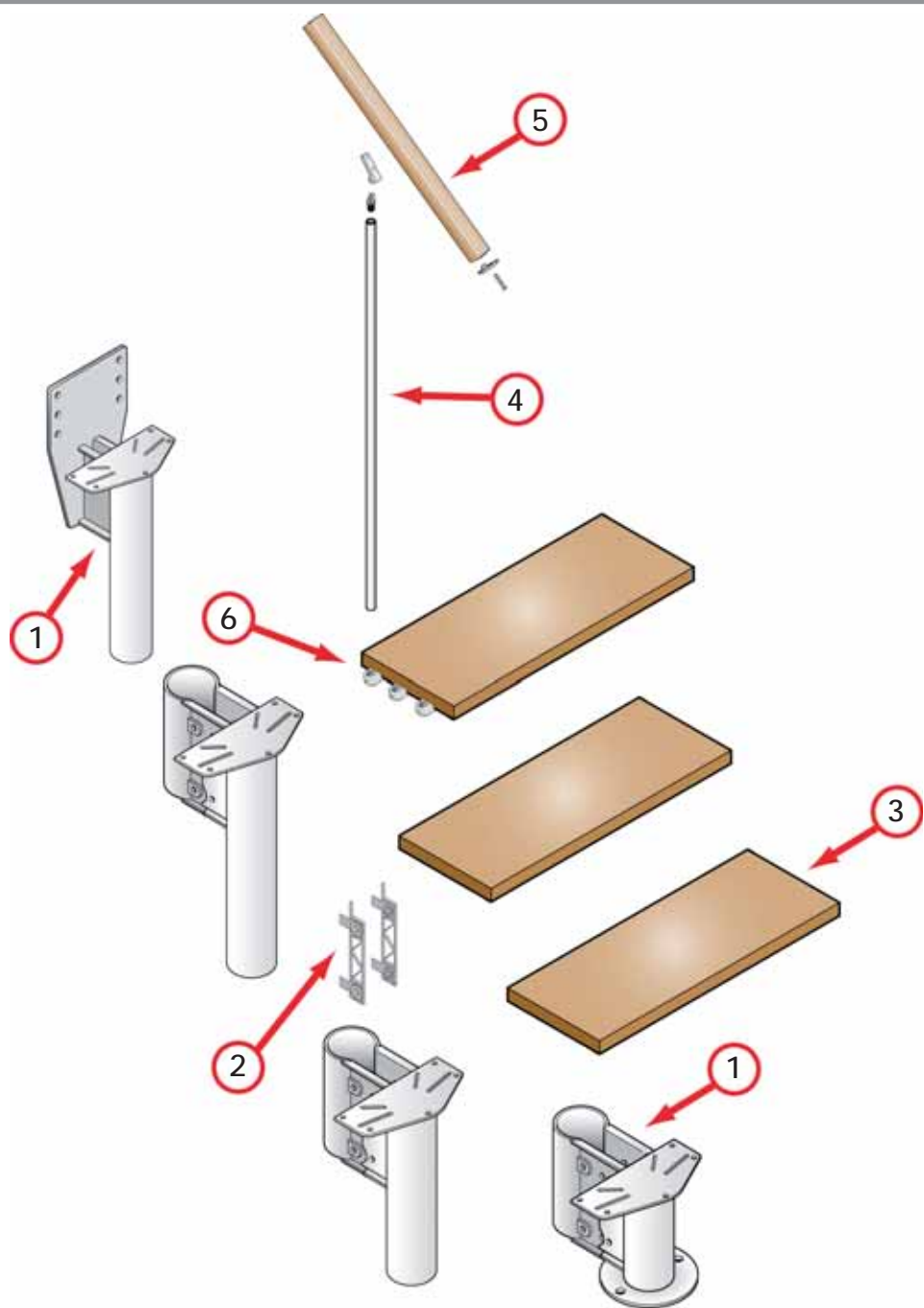
L (cm)	A (cm)	B (cm)	C (cm)
64	68	257-267-277	68





<b>Italiano</b>	DATI IDENTIFICATIVI DEL PRODOTTO
<b>English</b>	PRODUCT DETAILS
<b>Deutsch</b>	PRODUKTEIGENSCHAFTEN
<b>Français</b>	DONNÉES D'IDENTIFICATION DU PRODUIT
<b>Español</b>	DATOS DE IDENTIFICACIÓN
<b>Português</b>	DADOS DO PRODUTO
<b>Nederlands</b>	KENMERKENDE PRODUCTGEGEVENS
<b>Svenska</b>	PRODUKTENS IDENTIFIERINGSDATA
<b>Norsk</b>	PRODUKTINFORMASJON
<b>Dansk</b>	PRODUKTETS IDENTIFIKATIONSDATA
<b>Suomi</b>	TUOTTEEN TUNNISTETIEDOT







## IT) dati identificativi del prodotto

denominazione commerciale: **N4**  
tipologia: scala a giorno con gradini rettilinei, a ventaglio e rotazione delle rampe

### materiali impiegati

#### STRUTTURA

##### descrizione

composta da supporti (1) metallici assemblati fra di loro con bulloni

##### materiali

supporti metallici: Fe 370

fissaggi (2): polipropilene

##### finitura

supporti metallici: verniciatura a forno con polveri epossidiche

#### GRADINI

##### descrizione

gradini (3) in legno, rettilinei e a ventaglio assemblati alla struttura con bulloni

##### materiali

multistrato di betulla

##### finitura

tinta: all'acqua

fondo: poliuretano

finitura: poliuretano

#### RINGHIERA

##### descrizione

composta da colonnine (4) verticali in metallo fissate ai gradini (3) e da un corrimano (5) di legno

##### materiali

colonnine: Fe 370

corrimano: faggio

fissaggi (6): nylon

##### finitura

colonnine: verniciatura a forno con polveri epossidiche

corrimano di legno: tinta all'acqua,

fondo poliuretano

finitura poliuretano

#### PULIZIA

pulire con panno morbido inumidito in acqua, privo di qualsiasi prodotto contenente solventi o materiali abrasivi.

#### MANUTENZIONE

dopo circa 12 mesi dalla data di installazione, controllare il serraggio della viteria dei vari componenti. la manutenzione straordinaria deve essere eseguita a regola d'arte.

#### PRECAUZIONI D'USO

evitare usi impropri e non consoli al prodotto. eventuali manomissioni o installazioni non rispondenti alle istruzioni del produttore possono inficiare le conformità prestabilite del prodotto.

## EN) product details

trade name: **N4**  
type: flight staircase with alternate treads and flight rotation with slope

### used materials

#### STRUCTURE

##### description

composed of metal supports (1) assembled between themselves by bolts

##### materials

metal supports: Fe 370

fixings (2): polypropylene

##### finishing

metal supports: oven varnishing with epoxy powders

#### TREADS

##### description

straight and fan-shaped wooden treads (3) assembled to the structure by bolts gradini

##### materials

birch plywood

##### finishing

water-base colour

polyurethane undercoat

polyurethane finishing

#### RAILING

##### description

composed of vertical balusters (4) in metal fixed to the treads (3) and of a wooden handrail (5)

##### materials

balusters: Fe 370

handrail: beech

fixings (6): nylon

##### finishing

balusters: oven varnishing with epoxy powders

wooden handrail: water-base colour,

polyurethane undercoat,

polyurethane finishing

#### CLEANING

clean with a soft wet cloth, without any product containing solvents or abrasive materials.

#### MAINTENANCE

about 12 months after the installation date, check the tightening of bolts on the various components. all nonroutine maintenance procedures must be carried out in a strictly professional manner.

#### USE PRECAUTION

avoid any improper use that is not in accordance with the product. possible violations or installations which don't comply with the providers instructions can invalidate the agreed product conformities.

## DE) Produkteigenschaften

kommerzielle Bezeichnung: **N4**

Typologie: Mittelholmtreppe mit geraden und fächerförmigen angeordnete Stufen, Wenedelung der Treppenläufe

### verwendete Materialien

#### STRUKTUR

##### Beschreibung

bestehend aus Metallunterkonstruktionsteilen (1), die anhand von Bolzen miteinander verbunden werden

##### Materialien

Metallunterkonstruktionsteilen: Fe 370

Befestigungen (2): Polypropylen

##### Ausführung

Unterkonstruktionsteile: Pulverbeschichtung mit Epoxydharzen

#### STUFEN

##### Beschreibung

gerade und fächerförmige Holzstufen (3), die an der Struktur mittels Bolzen befestigt sind

##### Materialien

Mehrschichtbirkenholz

##### Ausführung

Beizung: Wasserfarbe

Grundierung: aus Polyurethan

Oberlack: aus Polyurethan

#### GELÄNDER

##### Beschreibung

bestehend aus senkrechten Geländerstäben (4) aus Metall, die an den Stufen (3) und am Holzhandlauf (5) befestigt sind

##### Materialien

Geländerstäben: Fe 370

Handlauf: Buche

Befestigungen (6): Nylon

##### Ausführung

Geländerstäben: Pulverbeschichtung mit Epoxydharzen

Holzhandlauf: Beizung: Wasserfarbe

Grundierung: aus Polyurethan

Oberlack: aus Polyurethan

#### REINIGUNG

mit einem weichen feuchten Tuch reinigen. keine Reinigungsmittel verwenden, die Lösungs- oder Scheuermittel beinhalten.

#### WARTUNG

ungefähr 12 Monate nach dem Einbau, die Festigkeit der einzelnen Schrauben überprüfen. die außerordentliche wartung muss nach allen regeln der Kunst durchgeführt werden.

#### VORSICHTSMAßNAHMEN FÜR DIE ANWENDUNG

die falsche und unangemessene Verwendung des Produkts vermeiden. eventuelle Beschädigungen oder nicht der Montageanleitung des Herstellers gemässe Einrichtungen können die vorgegebene Produktkonformität für ungültig erklären.

## FR) données d'identification du produit

denomination commerciale: **N4**

typologie: escalier à volée avec marches rectilignes, en éventail et rotation des volées

### matériaux utilisés

#### STRUCTURE

##### description

composée de supports (1) métalliques assemblés entre eux par boulonnage

##### matériaux

supports métalliques: Fe 370

fixations (2): polypropylène

##### finition

supports métalliques: vernissage à chaud avec poudres époxy

#### MARCHES

##### description

marches (3) en bois, rectilignes, en éventail assemblées à la structure par boulonnage

##### matériaux

multipli de bouleau

##### finition

verniss: à l'eau

mordant: polyuréthanique

finition: polyuréthanique

#### GARDE-CORPS

##### description

composé de colonnettes (4) verticales en métal fixées aux marches (3) et d'une main courante (5) en bois

##### matériaux

colonnettes: Fe 370

main courante: hêtre

fixations (6): nylon

##### finition

colonnettes: vernissage à chaud avec poudres époxy

main courante en bois: verniss: à l'eau

mordant: polyuréthanique

finition: polyuréthanique

#### NETTOYAGE

nettoyer avec un chiffon souplé humidifié à l'eau, sans aucun produit contenant des solvants ou matières abrasives.

#### ENTRETIEN

après environ 12 mois de la date d'installation, contrôler le serrage de la visserie et des différents éléments. l'entretien extraordinaire doit être exécuté dans les règles de l'art.

#### PRECAUTION D'UTILISATION

éviter l'utilisation impropre et non conforme au produit. d'éventuelles alterations ou installations non correspondantes aux instructions du producteur peuvent invalider les conformités préétablies du produit.

## ES) datos de identificación del producto

denominación comercial: **N4**

tipología: escalera abierta con peldaños rectilíneos, en forma de abanico y rotación de las rampas

### materiales empleados

#### ESTRUCTURA

##### descripción

compuesta por soportes (1) metálicos ensamblados entre sí con pernos

##### materiales

soportes metálicos: Fe 370

fijaciones (2): polipropileno

##### acabado

soportes metálicos: barnizado en horno con polvos epoxídicos

#### PELDAÑOS

##### descripción

peldaños (3) de madera maciza, rectilíneos y en abanico, ensamblados a la estructura mediante pernos

##### materiales

multicapa de abedul

##### acabado

acabado: al agua

imprimación: poliuretánica

acabado: poliuretánico

#### BARANDILLA

##### descripción

compuesta por barrotes (4) verticales de metal fijados a los peldaños (3) y por un pasamanos (5) de madera

##### materiales

barrotes: Fe 370

pasamanos: haya

fijaciones (6): nylon

##### acabado

barrotes: barnizado en horno con polvos epoxídicos

pasamanos de madera: acabado al agua

imprimación poliuretánica

acabado poliuretánico

#### LIMPIEZA

limpiar con un trapo suave humedecido con agua y sin ningún producto que contenga disolventes o materiales abrasivos.

#### MANTENIMIENTO

transcurridos unos 12 meses desde la fecha de instalación, comprobar que los tornillos que fijan las distintas partes sigan bien apretados. el mantenimiento extraordinario debe ser efectuado como corresponde.

#### PRECAUCIONES DE USO

evitar usos impropios y no conformes con el producto. eventuales manipulaciones o instalaciones que no cumplan con las instrucciones del fabricante pueden menoscabar las cualidades certificadas en las pruebas de conformidad a las que previamente fue sometido el producto.

## PT) dados do produto

denominação comercial: **N4**

tipologia: escadas com degraus diretos, curvos e rotação das rampas

### materiais utilizados

#### ESTRUTURA

##### descrição

composta por suportes (1) metálicos montados entre eles com parafusos

##### materiais

suportes metálicos: Fe 370

fixações (2): polipropileno

##### acabamento

suportes metálicos: pintura no forno com pós epóxi

#### DEGRAUS

##### descrição

degraus (3) em madeira diretos, curvos montados na estrutura com parafusos

##### materiais

multiestrato de bétula

##### acabamento

tinta: de água

fundo: em poliuretano

acabamento: em poliuretano

#### BALAÚSTRE

##### descrição

composto por colunas (4) verticais em metal presos aos degraus (3) e por um corrimão (5) em madeira

##### materiais

colunas: Fe 370

corrimão: faggio

fixações (6): nylon

##### acabamento

colunas: pintura no forno com pós epóxi

corrimão em madeira: tinta de água

fundo em poliuretano

acabamento em poliuretano

#### LIMPIEZA

limpe com um pano macio humedecido com água, sem qualquer produto contendo solventes nem materiais abrasivos.

#### MANUTENÇÃO

depois de aproximadamente 12 meses após a data de instalação, verifique se os parafusos e as porcas das várias peças estão apertados. a manutenção extraordinária deve ser perfeitamente realizada, em conformidade com os padrões vigentes.

#### PRECAUÇÕES NO USO

evite usos improprios, não em conformidade, do produto. quaisquer alterações e instalações não correspondentes às instruções do fabricante podem prejudicar as conformidades preestabelecidas para o produto

NL)

## kenmerkende productgegevens

commerciële benaming: **N4**

typologie: open trap met rechte en kwartrond

opgestelde treden en draaiing van de trapgedeelten

### gebruikte materialen

#### STRUCTUUR

##### beschrijving

bestaande uit stalen dragers (1) die onderling geassembleerd zijn door schroeven en moeren

##### materialen

stalen dragers: Fe 370

bevestigingsmateriaal (2): polypropyleen

##### afwerking

stalen dragers: in oven uitgeharde epoxy-poeder coating

#### TREDEN

##### beschrijving

treden (3) van houten, in een rechte en kwartronde configuratie die aan de structuur bevestigd zijn door schroeven en moeren

##### materialen

berken multiplex

##### afwerking

kleur: naturel

basis: van polyurethaan

afwerking: van polyurethaan

#### TRAPLEUNIG

##### beschrijving

bestaande uit verticale spijlen (4) die aan de treden (3) zijn bevestigd en een houten handregel (5)

##### materialen

spijlen: Fe 370

handregel: beukenhout

bevestigingsmateriaal (6): nylon

##### afwerking

spijlen: in oven uitgeharde epoxy poedercoating

houten handregel: kleur naturel

basis van polyurethaan

afwerking van polyurethaan

#### REINIGEN

reinigen met een zachte met water bevochtigde doek, vrij van enig product dat oplos- of schuurmiddelen bevat.

#### ONDERHOUD

controleer, na ongeveer 12 maanden na de installatiedatum, of het schroefwerk van de verschillende onderdelen nog goed vastzit. buitengewoon onderhoud moet uitgevoerd worden volgens de regelen der kunst.

#### VOORZORGSMAATREGELEN

vermijd onjuist en ongeschikt gebruik van het product. eventuele handelingen of installaties die niet volgens de aanwijzingen van de producent zijn uitgevoerd, kunnen de vooraf bepaalde conformatie van het product wijzigen.

SV)

## produktsens identifieringsdata

kommersiell benämning: **N4**

typ: öppen trappa med raka trappsteg, spiraltrappa och av rotationstyp

### konstruktionsmaterial

#### STRUKTUR

##### beskrivning

består av metallstöd (1) som sitter ihop med varandra med bultar

##### material

metallstöd: Fe 370

fästånordningar (2): polypropylen

##### ytbehandling

stöd: ugnslackerade med epoxipulver

#### TRAPPSTEG

##### beskrivning

trappsteg (3) av trä, av typ rak eller spiralformad, monterade på stommen med bultar

##### material

björk

##### ytbehandling

färg: vattenbaserad

botten: polyuretan

ytbehandling: polyuretan

#### RÄCKE

##### beskrivning

bestående av vertikala stolpar (4) av metall som sitter fast på trappstegen (3) och en tråhandedare (5)

##### material

stolpar: Fe 370

handedare: bokträ

fästånordningar (6): nylon

##### ytbehandling

stolpar: ugnslackerade med epoxipulver

tråhandedare: färg: vattenbaserad

botten: polyuretan

ytbehandling: polyuretan

#### RENGÖRING

tvätta med en fuktig trasa, som inte innehåller något som helst upplösande eller slipande medel.

#### UNDERHÅLL

ca 12 månader efter installeringen, kontrollera att de olika skruvarna är ordentligt åtdragna. det extra underhållet ska utföras på ett yrkesmannamässigt sätt.

#### FÖRSIKTIGHETSÅTGÄRDER

unik felaktig och en ej överensstämmande användning av produkten. eventuell överkan eller en installering som inte följer anvisningarna av produkten kan medföra att produktens garantier blir ogiltiga.

## NO)

### produktinformasjon

produktnavn: **N4**

karakteristikk: åpen trapp med rettlinjede trappetrinn, vifteformet og roterende trappeløp

### produksjonsmaterialer

#### STRUKTUR

##### beskrivelse

sammensatt av metallstøtter (1) festet sammen med bolter

##### materialer

metallstøtter: Fe 370

fester (2): polypropylen

##### finish

metallstøtter: ovnslakkert med epoksy pulver

#### TRAPPETRINN

##### beskrivelse

rettlinjede trinn (3) i tre, vifteformet og montert på strukturen med bolter

##### materialer

bjørk

##### finish

fargestoff: vannbasert

underlagsstrøk: polyuretan

finish: polyuretan

#### REKKVERK

##### beskrivelse

sammensatt av lodrette spiler i metall (4) festet i trappetrinnene (3), og en håndløper (5) i tre

##### materialer

spiler: Fe 370

håndløper: bøk

fester (6): nylon

##### finish

spiler: ovnslakkert med epoksy pulver

håndløper: fargestoff: vannbasert

underlagsstrøk: polyuretan

finish: polyuretan

#### RENGJØRING

rengjøres med en myk klut fuktet i vann, uten løsningsmidler eller annet som kan lage riper.

#### VEDLIKEHOLD

kontrollere, etter ca. 12 måneder fra installasjonen, at skruene i de forskjellige komponentene er korrekt strammet. ekstraordinært vedlikehold må utføres korrekt.

#### FORHOLDSREGLER VED BRUK

ungå uriktig og uegnet bruk av produktet. eventuelle endringer eller innstillinger som ikke er i samsvar med produsentens anvisninger vil kunne medføre at de forhåndsdefinerte produktkonformitetene blir ugyldiggjort.

## DA)

### produktets identifikationsdata

handelsbetegnelse: **N4**

type: svingtrappe med rettlinede, vifteformede trin og rotation af trappeløbene

### brugte materialer

#### STRUKTUREN

##### beskrivelse

strukturen består af metalstøtter (1) som er sammensat med bolte

##### materialer

metalstøtter: Fe 370

fikseringer (2): polypropylen

##### finish

metalstøtter: malet i ovn med epoxy pulver

#### TRIN

##### beskrivelse

trin (3) i massivt retlinet vifteformet træ sammensat til strukturen med bolte

##### materialer

birketræ

##### finish

vandmalet

grundet med polyuretan

finish med polyuretan

#### GELÆNDER

##### beskrivelse

gelænderet består af små lodrette metalstolper (4) fikseret til trinene (3) og en håndliste i træ (5)

##### materialer

stolper: Fe 370

håndliste: bøgetræ

fikseringer (6): nylon

##### finish

stolper: malet i ovn med epoxy pulver

håndliste: vandmalet

grundet med polyuretan

finish med polyuretan

#### RENGØRING

brug en blød klud som er vredet op i vand uden opløsningsmidler eller slibemidler.

#### VEDLIGEHOLDELSE

efter cirka 12 måneder fra installationsdatoen kontrolleres fikseringen på de forskellige komponenters skruer. ekstraordinær vedligeholdelse skal udføres teknisk korrekt.

#### BRUGSHENVISNINGER

undgå at bruge produktet forkert. eventuelle fejlgreb eller installationer, som ikke er i overensstemmelse med producentens instruktioner, kan svække produktets fastsatte egenskaber.

## FI)

### tuotteen tunnistetiedot

kauppanimi: **N4**

tyyppi: portaat suorilla ja kiertyvillä askelmilla,  
porrassyöksyen kierto

### käytetyt materiaalit

#### RAKENNE

##### kuvaus

koostuu metallisista kannattimista (1), jotka kiinnitetään yhteen pulteilla

##### materiaalit

metalliset kannattimet: Fe 370

kiinnikkeet (2): polypropeeni

##### viimeistely

kannattimet: maalaus uunissa epoksijauheilla

#### ASKELMAT

##### kuvaus

askelmat (3), puuta, suorat viuhkan muodossa; asennettu runkoon pulteilla

##### materiaalit

Koivuvaneria

##### viimeistely

väri: vesipohjainen

pohjamaali: polyuretaaninen

viimeistely: polyuretaaninen

#### KAIDE

##### kuvaus

koostuu askelmiin (3) kiinnitetystä metallisista pystypinoista (4) sekä puisesta käsijohteesta (5)

##### materiaalit

pystypinnat: Fe 370

käsijohde: pyökki

kiinnikkeet (6): nailon

##### viimeistely

pystypinnat: maalaus uunissa epoksijauheilla

käsijohde: väri: vesipohjainen

pohjamaali: polyuretaaninen

viimeistely: polyuretaaninen

#### PUHDISTUS

puhdistu pehmeällä, veteen kostutetulla kankaalla, ilman liuottavia tai hankaavia aineita.

#### HUOLTO

tarkista noin 12 kuukautta asennuksen jälkeen, ovatko eri komponenttien ruuvit edelleen tiukalla. erityiset huoltotoimenpiteet tulee suorittaa ammattitaidolla.

#### VAROTUKSET

vältä asiatonta käyttöä ja käyttöä, joka ei vastaa tuotteen käyttötarkoitusta. mikäli tuotetta on muunneltu tai se on asennettu ohjeiden vastaisesti, saattaa tuotteen yhdenmukaisuus säädettyjen normien kanssa joutua vaaranalaiseksimität für ungültig erklären.





**N4**  
D.U.M.  
11/2014